

# POULAN<sup>®</sup>PRO

## 21" Push Walk Behind Mower Cortadora de Césped de 21"

Printed manuals available from [www.evansproducts.com](http://www.evansproducts.com) or order by calling  
1-877-703-4441

Manuales impresos disponibles en [www.evansproducts.com](http://www.evansproducts.com) u ordene llamando  
1-877-703-4441

REV B

70080674



## OPERATORS MANUAL MANUAL DE OPERADOR



**KIDS AND MOWERS DON'T MIX!**  
**Tragic accidents can happen. You can SEVERELY INJURE or KILL a child with a lawn mower.**

**¡LOS NIÑOS Y LAS CORTADORAS DE CÉSPED NO SE MEZCLAN!** Pueden ocurrir accidentes trágicos! Las cortadoras de césped pueden LESIONAR GRAVEMENTE o MATAR a un niño.



**Please leave children indoors and supervised!**

**Por favor, deje en el interior a los niños y supervisados!**

**Meets CPSC Safety Requirements**

Our rotary walk-behind power lawn mowers conform to the safety standards of the American National Standards Institute and the U.S. Consumer Product Safety Commission.

**Cumple con los requisitos de seguridad de CPSC**

Las cortadoras de césped giratorias de empuje manuales cumplen con las normas de seguridad del Instituto Nacional de Normalización Estadounidense y la Comisión para la Seguridad de los Productos de Consumo de los Estados Unidos.

## CONGRATULATIONS

Congratulations on your purchase of a new lawn mower. It has been designed, engineered and manufactured to give you the best possible dependability and performance.

Should you experience any problem you cannot easily remedy, please contact your nearest authorized service center/department. You can find this information at [www.evansproducts.com](http://www.evansproducts.com)

PLEASE READ AND RETAIN THIS QUICK REFERENCE GUIDE. These instructions will enable you to assemble and maintain your lawn mower properly. **ALWAYS observe the "SAFETY RULES"**.

The Quick Reference Guide was designed to conveniently help you get your purchase ready to use so there's less risk of damaging it and to provide you with enough information for you to get familiar with your product's controls and features to operate it safely. This Guide however, is NOT a replacement for you reading your complete Owner's Manual and all the details it covers, such as mower maintenance, adjustments and storage.

**THE OPERATOR'S MANUAL FOR YOUR PARTICULAR PRODUCT IS AVAILABLE ONLINE AT [www.evansproducts.com](http://www.evansproducts.com) OR BY CALLING 1-877-703-4441.**



**CAUTION:** The operation of any lawn mower can result in foreign objects thrown into the eyes, which can result in severe eye damage. **ALWAYS** wear safety glasses or eye shields while operating your lawn mower or performing any adjustments or repairs. We recommend standard safety glasses or a wide vision safety mask worn over spectacles.



**WARNING:** Engine exhaust, some of its constituents and certain vehicle components contain or emit chemicals known to the State of California to cause cancer and birth defects or other reproductive harm. Battery posts, terminals and related accessories contain lead and lead compounds, chemicals known to the State of California to cause cancer and birth defects or other reproductive harm. Wash hands after handling.

## FELICITACIONES

Felicitaciones por la compra de su nueva podadora. Ha sido proyectado, diseñado y fabricado para darle la mejor dependencia y el mejor rendimiento posibles.

Si experimenta algún problema que no puede solucionar fácilmente, comuníquese con su centro/departamento de servicio más cercano. Esta información está en [www.evansproducts.com](http://www.evansproducts.com)

LEA Y CONSERVE ESTA GUÍA DE REFERENCIA RÁPIDA. Estas instrucciones le permitirán ensamblar y mantener adecuadamente su podadora. **SIEMPRE cumpla las "NORMAS DE SEGURIDAD"**.

La Guía de referencia rápida se diseñó para ayudarlo de forma conveniente a preparar lo que ha comprado para usarlo de modo que haya menos riesgo de dañarlo y para proporcionarle suficiente información para que se familiarice con los controles y las funciones del producto para usarlo de forma segura. No obstante, leer esta Guía NO reemplaza la lectura del Manual del propietario completo y todos los detalles que este abarca, como el mantenimiento, ajustes y almacenamiento de la podadora.

**EL MANUAL DE USUARIO PARA SU PRODUCTO EN PARTICULAR ESTÁ DISPONIBLE EN LÍNEA EN [www.evansproducts.com](http://www.evansproducts.com) O LLAMANDO AL 1-877-703-4441.**



**AVISO:** Al usar cualquier podadora pueden entrar objetos extraños en los ojos, y esto puede causar lesiones oculares severas. Siempre use gafas de seguridad o protectores oculares mientras use su podadora o al hacer ajustes o reparaciones. Recomendamos gafas protectoras estándares o una máscara protectora con amplia visibilidad sobre sus gafas.

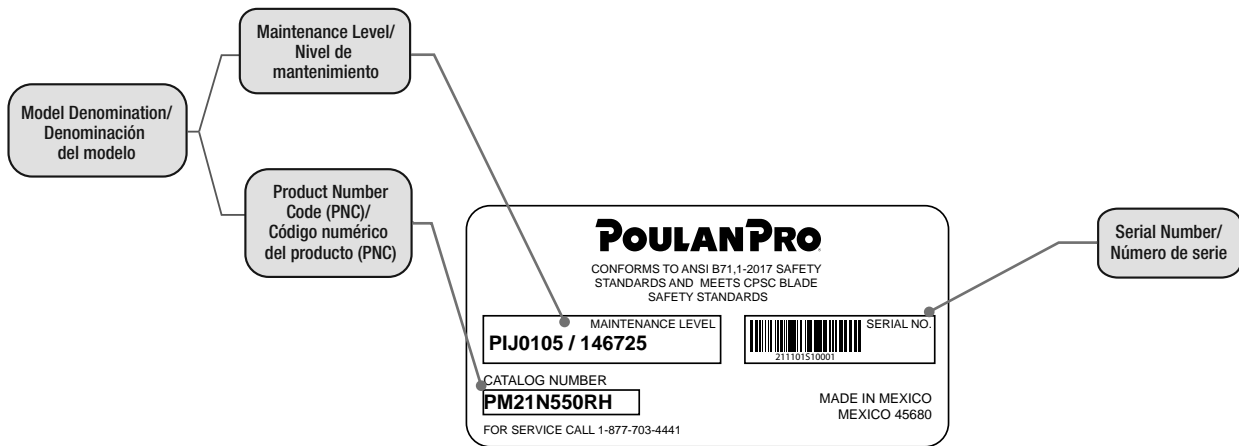


**ADVERTENCIA:** Los gases de escape del motor, algunos de sus componentes y algunos componentes del vehículo contienen o emiten químicos que según el Estado de California provocan cáncer y malformaciones congénitas u otros daños reproductivos. Los postes de batería, terminales y accesorios relacionados contienen plomo y compuestos de plomo, químicos que según el Estado de California provocan cáncer y malformaciones congénitas u otros daños reproductivos. Lávese las manos luego de su uso.



Please read **This Guide** carefully and make sure you understand the instructions before using the machine./Lea **esta Guía** con atención y asegúrese de entender las instrucciones antes de usar la máquina.

# PARTS AND SERVICE/PARTES Y SERVICIO



Before you call for parts and/or service, please have the model number and serial number of your lawn mower available. The model serial plate is located on the rear of the lawn mower housing.

Your serial plate will look similar to the serial plate shown above.

## IMPORTANT PRODUCT REGISTRATION INFORMATION

Please record your machine model and serial number, with the date of purchase, in the space provided below:

Model Number: \_\_\_\_\_

Serial Number: \_\_\_\_\_

Date of Purchase: \_\_\_\_\_

Please register your product in [www.evansproducts.com](http://www.evansproducts.com)

Antes de llamar para solicitar piezas y/o servicio de reparación, tenga a mano el número de modelo y el número de serie de su podadora. La placa con el número de modelo/serie se encuentra en la parte posterior de la carcasa de la podadora. La placa con el número de serie es similar a la placa que se muestra arriba.

**INFORMACIÓN IMPORTANTE DE REGISTRO DEL PRODUCTO** Registre el número de modelo y número de serie de su máquina y la fecha de compra en el espacio provisto a continuación:

Número de modelo: \_\_\_\_\_

Número de serie: \_\_\_\_\_

Fecha de compra: \_\_\_\_\_

Por favor registre su producto en [www.evansproducts.com](http://www.evansproducts.com)

## LAWNMOWER SYMBOLS\*

GENERAL		IGNITION SWITCH	
OIL	FUEL	ENGINE OFF	ENGINE ON
THROTTLE			
CHOKE	FAST	SLOW	
SAFETY			
DANGER KEEP HANDS AND FEET AWAY (See SAFETY RULES section, page 4)			

## SÍMBOLOS DE LA PODADORA\*


GENERAL		INTERRUPTOR DE ENCENDIDO	
ACEITE	COMBUSTIBLE	MOTOR APAGADO	MOTOR EN MARCHA
ACELERADOR			
ESTRANGULADOR	RÁPIDO	LENTO	
SEGURIDAD			
PELIGRO, MANTENGA LAS MANOS Y LOS PIES ALEJADOS Consulte LA SECCIÓN DE REGLAS DE SEGURIDAD, página 6)			

\*These symbols may appear on your lawn mower or in the literature supplied with the product. Learn and understand their meaning.


\*Estos símbolos pueden aparecer en su podadora o en la literatura provista con el producto. Aprenda y entienda su significado.

# SAFETY INFORMATION

## Glossary of Safety Symbols


 Failure to follow instructions could result in serious injury or death. The safety alert symbol is used to identify safety information about hazards which can result in death, serious injury and/or property damage.


 **DANGER** indicates a hazard which, if not avoided, **WILL result in death or serious injury.**

 **WARNING** indicates a hazard which, if not avoided, **COULD result in death or serious injury.**


 **CAUTION** indicates a hazard which, if not avoided, **COULD result in minor or moderate injury.**


**CAUTION** when used without the alert symbol, indicates a situation that **could result in damage to the lawn mower and/or engine.**


 **HOT SURFACES** indicates a hazard which, if not avoided, **could result in death, serious injury and/or property damage.**

 **FIRE** indicates a hazard which, if not avoided, **could result in death, serious injury and/or property damage.**


## Safe Operation Practices For Pedestrian Controlled Lawn Mowers

 **DANGER:** THIS CUTTING MACHINE IS CAPABLE OF AMPUTATING HANDS AND FEET AND THROWING OBJECTS. FAILURE TO OBSERVE THE FOLLOWING SAFETY INSTRUCTIONS COULD RESULT IN SERIOUS INJURY OR DEATH.

 **CAUTION:** Muffler and other engine parts become extremely hot during operation and remain hot after engine has stopped. To avoid severe burns on contact, stay away from these areas.

 **WARNING:** This mower is equipped with an internal combustion engine and should NOT be used on or near any unimproved forest-covered, brush-covered, or grass covered land unless the engine's exhaust system is equipped with a spark arrester meeting applicable local or state laws (if any). If a spark arrester is used, it should be maintained in effective working order by the operator. A spark arrester for the muffler is available through your nearest authorized service center/department. In the State of California the above is required by law (Section 4442 of the California Public Resources Code). Other states may have similar laws. Federal laws apply on federal lands.

## I. Children

 **WARNING: CHILDREN CAN BE SERIOUSLY INJURED OR KILLED BY THIS EQUIPMENT.** Carefully read and follow all of the safety instructions below.

Tragic accidents can occur if the operator is not alert to the presence of children. Children are often attracted to the machine and the mowing activity. NEVER assume that children will remain where you last saw them.

- Keep children out of the mowing area and in the watchful care of a responsible adult **other than** the operator.
- Be alert and turn machine off if a child enters the area.
- Before and while backing, look behind and down for small children.
- The American Academy of Pediatrics recommends that children be a minimum of 12 years of age before operating a pedestrian controlled lawn mower and a minimum of 16 years of age before operating a riding lawn mower.
- Use extra care when approaching blind corners, shrubs, trees or other objects that may block your view of a child.
- NEVER OPERATE THE MOWER WHEN CHILDREN ARE PRESENT.

## II. Slope Operation

Slopes are a major factor related to slip and fall accidents which can result in severe injury. All slopes require extra caution. If you feel uneasy on a slope, do not mow it.

- Mow across the face of slopes: NEVER up and down. Exercise extreme caution when changing direction on slopes.
- Watch for holes, ruts, bumps, rocks or other hidden objects. Uneven terrain could cause a slip and fall accident. Tall grass can hide obstacles.
- DO NOT mow near drop-offs, ditches, or embankments. You could lose footing or balance.
- DO NOT mow on wet grass or excessively steep slopes. Poor footing could cause a slip and fall accident.

## III. General Operation

- Read, understand, and follow all instructions on the machine and in the Quick Reference Guide before starting.
- DO NOT put hands or feet near rotating parts or under the machine. Keep clear of the discharge opening at all times.
- Allow only responsible adults familiar with the instructions to operate the machine.
- Clear the area of objects such as rocks, toys, wire, etc. which could be picked up and thrown by the blades. Stay behind the handles while the engine is running.
- Be sure the area is clear of bystanders before operating. Stop machine if anyone enters the area.
- DO NOT operate the mower when barefoot or while wearing sandals. ALWAYS wear substantial foot wear.

## SAFETY INFORMATION

### III. General Operation *(continued)*

- DO NOT pull mower backwards unless absolutely necessary. ALWAYS look down and behind before and while moving backwards.
- NEVER direct discharged material toward anyone. Avoid discharging material against a wall or obstruction. Material may ricochet back toward the operator. Stop the blades when crossing gravel surfaces.
- DO NOT operate machine without the entire grass catcher, discharge chute or other safety devices in place and working.
- See manufacturer's instructions for proper operation and installation of accessories. Only use accessories approved by the manufacturer.
- NEVER leave a running machine unattended.
- Stop the engine (motor) and wait until the blade comes to a complete stop before cleaning the mower, removing the grass catcher, or unclogging the discharge guard.
- Operate machine only in daylight or good artificial light.
- DO NOT operate the machine while under the influence of alcohol or drugs.
- NEVER operate machine in wet grass. ALWAYS be sure of your footing: keep a firm hold on the handle and walk; NEVER run.
- Disengage the drive system on mowers so equipped before starting the engine (motor).
- If the equipment should start to vibrate abnormally, stop the engine (motor) and check for the cause immediately. Vibration is generally a warning of trouble.
- ALWAYS wear eye protection when operating machine.

### IV. Service

#### SAFE HANDLING OF GASOLINE

- To avoid personal injury or property damage, use extreme care in handling gasoline. Gasoline is extremely flammable and the vapors are explosive.
- Extinguish all cigarettes, cigars, pipes and other sources of ignition.
- Use only approved gasoline container.
- NEVER remove gas cap or add fuel with the engine running. Allow engine to cool before refueling.
- NEVER fuel the machine indoors.
- NEVER store the machine or fuel container where there is an open flame, spark or pilot light such as on a water heater or other appliances.
- NEVER fill containers inside a vehicle or on a truck or trailer bed with plastic liner. ALWAYS place containers on the ground away from your vehicle when filling.
- Remove gas-powered equipment from the truck or trailer and refuel it on the ground. If this is not possible, then refuel such equipment with a portable container, rather than from a gasoline dispenser nozzle.
- Keep the nozzle in contact with the rim of the fuel tank or container opening at all times until fueling is complete. DO NOT use a nozzle lock-open device.
- If fuel is spilled on clothing, change clothing immediately.
- NEVER overfill fuel tank. Replace gas cap and tighten securely.

#### GENERAL SERVICE

- NEVER operate machine in a closed area.
- Keep all nuts and bolts tight to ensure the equipment is in safe working condition.

- NEVER remove or tamper with any safety devices. Check their proper operation regularly. NEVER do anything to interfere with the function of a safety device or to reduce the protection offered by the safety device.
- Keep machine free of grass, leaves, or other debris buildup. Clean oil or fuel spillage and remove any fuel-soaked debris. Allow machine to cool before storing.
- If you strike a foreign object, stop and inspect the machine. Repair, if necessary, before restarting.
- NEVER attempt to make any adjustments or repairs while the engine (motor) is running. Disconnect the spark plug wire and ground against the engine to prevent unintended starting.
- Check grass catcher components and the discharge chute frequently and replace with manufacturer's recommended parts, when necessary.
- Mower blade is sharp. Wrap the blade or wear gloves and use extra caution when servicing it.
- DO NOT change the engine governor setting or overspeed the engine.
- Maintain or replace safety and instruction labels, as necessary.

#### PREPARING THE ENGINE

- **IMPORTANT:** This lawn mower is shipped WITHOUT OIL OR GASOLINE in the engine.
- **NOTE:** Gasoline containing up to 10% ethanol (E10) is acceptable for use in this machine. The use any gasoline exceeding 10% ethanol (E10) will void the product warranty.

### VI. Customer Responsibilities

- Read and observe the safety rules.
- Follow a regular schedule in maintaining, caring for and using your lawn mower.
- Wear proper Personal Protective Equipment (PPE) while operating this machine, including (at a minimum) sturdy footwear, eye protection and hearing protection. DO NOT mow in shorts and/or open-toed footwear.
- ALWAYS let someone know you are outside mowing.
- NEVER allow children in the vicinity of any operating mower, even if the blades are off. Children should be under the supervision of a responsible adult **other than** the operator for the duration of the mowing operation.
- Follow the instructions under "Maintenance" and "Storage" sections of the Operator's Manual.



**CAUTION:** Federal regulations require an Operator Presence Control to be installed on this lawn mower in order to minimize the risk of blade contact injury. DO NOT under any circumstances attempt to defeat the function of the operator control. The blade turns when the engine is running.

# INFORMACIÓN DE SEGURIDAD

## Glosario de símbolos de seguridad



Si no sigue las instrucciones podría generar daños graves o la muerte. El símbolo de alerta de seguridad se usa para identificar información de seguridad sobre peligros que pueden causar la muerte, daños graves y/o daños de la propiedad.



**PELIGRO** significa que hay un riesgo que, si no se evita, **CAUSARÁ la muerte o daños graves.**



**ADVERTENCIA** significa que hay un riesgo que, si no se evita, **PUEDE CAUSAR la muerte o daños graves.**



**PRECAUCIÓN** indica un peligro que, de no evitarse, **PODRÍA CAUSAR lesiones leves o moderadas.**

**AVISO**, el uso sin el símbolo de alerta indica una situación que **podría producir daños en la podadora y/o el motor.**



**SUPERFICIES CALIENTES** significa que hay un riesgo que, si no se evita, **puede causar la muerte, daños graves y/o daños en la propiedad.**



**FUEGO** significa que hay un riesgo que, si no se evita, **puede causar la muerte, daños graves y/o daños en la propiedad.**

## Prácticas de uso seguro para máquinas cortadoras de césped manejadas de pie



**PELIGRO:** ESTA MÁQUINA CORTADORA PUEDE AMPUTAR MANOS Y PIES Y ARROJAR OBJETOS. SI NO SIGUE LAS INSTRUCCIONES DE SEGURIDAD PUEDE CAUSAR DAÑOS GRAVES O LA MUERTE.



**AVISO:** El silenciador y otras piezas del motor se calientan mucho durante el uso y quedan calientes después de apagar el motor. Para evitar quemaduras severas por contacto, manténgase alejado de estas áreas.



**ADVERTENCIA:** Esta podadora cuenta con un motor de combustión interna y NO debe usarse en o cerca de terreno arbolado, con maleza o césped no mejorado, salvo que el sistema de ventilación del motor cuente con parachispas, conforme a las leyes locales o estatales vigentes (si se incluyen). Si se usa un detenedor de chispas, el operador debe mantenerlo en orden de trabajo eficaz. Hay detenedores de chispas para el silenciador disponibles a través de su centro/departamento de servicio autorizado más cercano. En el estado de California, lo anterior es requisito de la ley (Sección 4442 del Código de Recursos Públicos de California). Otros estados pueden tener leyes similares. Las leyes federales se aplican a las tierras federales.

## I. Niños



**ADVERTENCIA: ESTE EQUIPO PUEDE DAÑAR GRAVEMENTE A LOS NIÑOS O MATARLOS.** Lea atentamente las siguientes instrucciones de seguridad y cumpla lo que indica.

Pueden ocurrir trágicos accidentes si el operador no está atento a la presencia de niños. A los niños suelen atraerles las máquinas y el corte del césped. NUNCA asuma que los niños permanecerán donde los vio por última vez.

- Mantenga a los niños fuera de la zona de corte y bajo el cuidado atento de un adulto responsable **que no sea** el mismo operador.
- Esté atento y apague la máquina si entra un niño en la zona.
- Antes de retroceder y durante ese desplazamiento, mire hacia atrás y hacia abajo para verificar que no haya niños pequeños.
- La Academia de Pediatría de los EE.UU. recomienda que los niños tengan un mínimo de 12 años para usar un cortacésped manejado a pie y un mínimo de 16 años para usar un cortacésped tipo tractor.
- Ponga especial atención al acercarse a rincones ciegos, arbustos, árboles u otros objetos que podrían obstruir la vista de un niño.
- NUNCA USE EL CORTACÉSPED CUANDO HAY NIÑOS PRESENTES.

## II. Funcionamiento en pendientes

Las pendientes son un factor importante en relación con los accidentes de resbalones y caídas que pueden causar lesiones severas. Se debe ser más cuidadoso en las pendientes. Si se siente inseguro en una pendiente, no la corte.

- Corte de forma oblicua a la pendiente, NUNCA hacia arriba o hacia abajo. Sea sumamente cuidadoso al cambiar de dirección en pendientes.
- Esté atento a los pozos, surcos, baches, rocas u otros objetos ocultos. El terreno irregular puede provocar un resbalón o una caída. El césped alto puede ocultar obstáculos.
- NO corte cerca de taludes, zanjas o terraplenes. Podría perder el equilibrio o trastabillar.
- NO corte en pendientes con césped mojado o excesivamente pronunciadas. La falta de apoyo puede provocar un resbalón o una caída.

## III. Uso general

- Lea, comprenda y siga todas las instrucciones de la máquina y de la Guía de referencia rápida antes de comenzar.
- NO coloque las manos ni los pies cerca de las partes en rotación ni debajo de la máquina. Mantenga despejada la abertura para la expulsión en todo momento.
- Solo autorice para usar la máquina a adultos responsables que conozcan las instrucciones.
- Quite de la zona los objetos como rocas, juguetes, cables, etc. que podrían engancharse en la cuchilla y ser arrojados. Manténgase detrás de las manijas mientras el motor está en funcionamiento.
- Asegúrese de que no haya nadie en la zona antes de empezar. Detenga la máquina si alguien ingresa en la zona.
- NO use la podadora sin calzado o con sandalias. SIEMPRE use calzado sólido.

### III. Uso general (continuación)

- NO tire hacia atrás la podadora, salvo que sea absolutamente necesario. SIEMPRE mire hacia abajo y hacia atrás antes de moverse hacia atrás y mientras lo hace.
- NUNCA dirija el material expulsado a nadie. Evite expulsar el material contra una pared u obstrucción. El material puede rebotar hacia el operador. Detenga las cuchillas cuando atraviese superficies de grava.
- NO use la máquina si no está todo el recogedor de césped, el conducto de expulsión u otros dispositivos de seguridad en su lugar y funcionando.
- Vea las instrucciones del fabricante para obtener información del uso adecuado y accesorios de instalación del fabricante. Utilice solo los accesorios aprobados por el fabricante.
- NUNCA se baje de una máquina y la deje funcionando sola.
- Detenga el motor y espere a que la cuchilla se haya detenido completamente antes de limpiar la cortadora, de extraer el colector de césped o desobstruir la protección de descarga.
- Use la máquina solo cuando es de día o hay buena luz artificial.
- NO use la máquina si ha consumido alcohol o drogas.
- NUNCA utilice la máquina en césped mojado. SIEMPRE pise seguro: tome la manija con firmeza y camine, NUNCA corra.
- Desconecte el sistema de propulsión en las máquinas cortadoras de césped que cuenten con uno antes de arrancar el motor.
- Si el equipo empieza a vibrar de manera anormal, detenga el motor y compruebe la causa de inmediato. La vibración generalmente advierte sobre un problema.
- SIEMPRE use protección ocular cuando use la máquina.

### IV. Servicio

#### MANIPULACIÓN SEGURA DE LA GASOLINA

- Para evitar daños personales o en la propiedad, ponga extrema atención en la manipulación de la gasolina. La gasolina es extremadamente inflamable y los vapores son explosivos.
- Apague todos los cigarrillos, cigarros, pipas y otras fuentes de ignición.
- Solo use recipientes de gasolina aprobados.
- NUNCA quite la tapa de la gasolina ni agregue combustible con el motor en marcha. Antes de rellenar el motor, déjelo enfriar.
- NUNCA coloque el combustible en el tanque con la máquina en interiores.
- NUNCA guarde la máquina ni el recipiente de combustible donde haya una llama abierta, chispa o luz indicadora como en un calentador de agua u otros aparatos.
- NUNCA llene los recipientes dentro de un vehículo o sobre la base de un camión o remolque con revestimiento plástico. SIEMPRE coloque los recipientes en el suelo lejos de su vehículo cuando los rellene.
- Retire el equipo a gasolina del camión o remolque y complete el tanque sobre el suelo. Si no es posible, cargue el combustible en dicho equipo con un recipiente portátil y no con una boquilla de dispensador de gasolina.
- Mantenga la boquilla en contacto con el borde de la abertura del recipiente o depósito de combustible en todo momento hasta que se haya llenado el recipiente. NO use un dispositivo para fijar la boquilla en posición abierta.
- Si se salpica combustible en la ropa, cámbiese la ropa inmediatamente.
- NUNCA llene demasiado el depósito de combustible. Vuelva a colocar la tapa de la gasolina y asegúrela apretándola.

#### SERVICIO GENERAL

- NUNCA use la máquina en un área cerrada.
- Mantenga todas las tuercas y pernos apretados para asegurarse de que el equipo está en buenas condiciones de trabajo.
- NUNCA quite ni altere ningún dispositivo de seguridad. Verifique con regularidad que funciona correctamente. NUNCA haga nada que interfiera con la función de un dispositivo de seguridad o que reduzca la protección que brinda el dispositivo de seguridad.
- Mantenga la máquina sin césped, hojas o acumulación de otros restos. Limpie las salpicaduras de aceite o combustible y quite los restos mojados con combustible. Antes de guardar la máquina, déjela enfriar.
- Si golpea un objeto extraño, detenga la máquina e inspecciónela. Si es necesario, repárela antes de volver a encenderla.
- NUNCA intente hacer ajustes o reparaciones con el motor en marcha. Desconecte el cable de la bujía de encendido y conecte el motor a tierra para evitar el encendido accidental.
- Revise frecuentemente los componentes del recogedor de césped y el conducto de expulsión y realice los reemplazos necesarios con partes recomendadas por el fabricante.
- La cuchilla de la podadora es filosa. Envuelva la cuchilla o use guantes y sea muy cuidadoso al hacer tareas de reparación.
- NO cambie el reglaje del regulador del motor ni exceda la velocidad del motor.
- Cuide el estado de las etiquetas de seguridad e instructivas, o sustitúyalas, según sea necesario.

#### PREPARACIÓN DEL MOTOR

- **IMPORTANTE:** Esta podadora se envía SIN ACEITE NI GASOLINA en el motor.
- **NOTA:** La gasolina con contenido de hasta 10% de etanol (E10) es aceptable para el uso en esta máquina. El uso de cualquier gasolina con más de 10% de etanol (E10) anula la garantía del producto.

### V. Responsabilidades del cliente

- Lea y obedezca las reglas de seguridad.
- Siga un cronograma de mantenimiento, cuidado y uso regular de su podadora.
- Use equipo de protección personal (PPE, Personal Protective Equipment) mientras usa esta máquina, incluido (mínimamente) un calzado sólido, protección ocular y protectores auriculares. NO corte el césped con pantalones cortos ni con calzados que no cubran los dedos.
- SIEMPRE avise a otra persona que usted está fuera cortando el césped.
- NUNCA permita la presencia de niños cerca de ningún cortacésped en marcha, aún si las cuchillas están apagadas. Los niños deben estar al cuidado de un adulto responsable **que no sea** el operador mientras se esté cortando el césped.
- Siga las instrucciones de las secciones “Mantenimiento” y “Almacenamiento” del Manual del Operador.



**PRECAUCIÓN:** Las reglamentaciones federales exigen la instalación de un control de presencia del operador en esta podadora para minimizar el riesgo de lesiones por contacto con la cuchilla. Bajo NINGUNA circunstancia intente inhabilitar la función de control del operador. La cuchilla gira mientras el motor está en marcha.

# SETUP

## ASSEMBLY/PRE-OPERATION



**CAUTION:** Read complete REFERENCE GUIDE before operating this machine.

**IMPORTANT:** THIS LAWN MOWER IS SHIPPED WITHOUT OIL OR GASOLINE IN THE ENGINE.

Your new lawn mower has been assembled at the factory with the exception of those parts left unassembled for shipping purposes. All parts such as nuts, washers, bolts, etc., necessary to complete the assembly have been placed in the parts bag. To ensure safe and proper operation of your lawn mower, all parts and hardware you assemble must be tightened securely. Use the correct tools as necessary to ensure proper tightness.

## SETUP

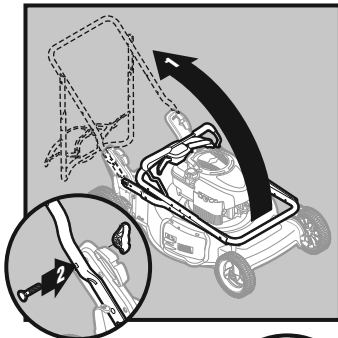
### TO REMOVE LAWN MOWER FROM CARTON

1. Remove loose parts included with mower.
2. Cut down two end corners of carton and lay end panel down flat.
3. Remove all packing materials except padding between upper and lower handle and padding holding operator presence control bar to upper handle.
4. Roll lawn mower out of carton and check carton thoroughly for additional loose parts.

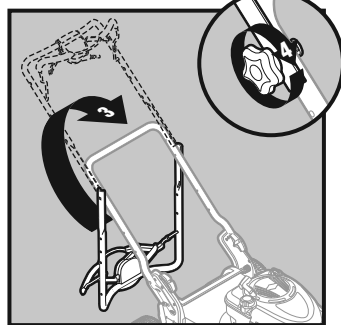
### HOW TO SET UP YOUR LAWN MOWER

**IMPORTANT:** Unfold handle carefully to avoid pinching or damaging the control cables.

1. Raise handles until lower handle section locks into place in mowing position.
2. Insert handle bolts into lower handle. Install and tighten **Knobs** to secure the handle.

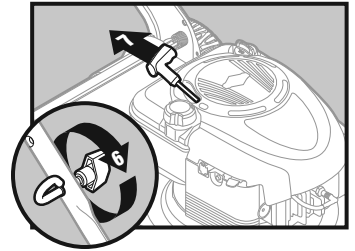


3. Remove protective padding, raise upper handle section into place on lower handle.
4. Tighten **Knobs** to secure the handle.
5. Remove handle padding holding **Operator Presence Control Bar** to upper handle (IF EQUIPPED).

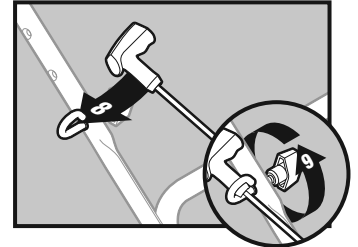


**NOTE:** For some models, the lawn mower handle can be adjusted for your mowing comfort. Refer to the "TO ADJUST HANDLE" section of the Operator's Manual.

6. Loosen knob on upper handle.
7. Slowly pull engine **Starter Handle**.

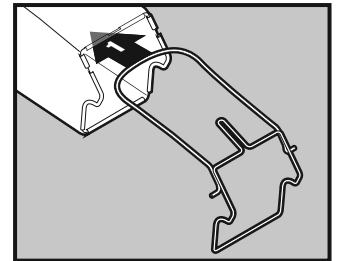


8. Slip starter rope into loop on upper handle.
- NOTE:** Make sure loop is facing UP.
9. Tighten **Knob**.

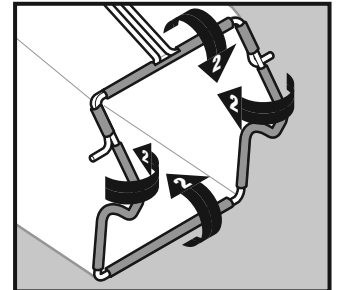


### TO ASSEMBLE THE GRASS CATCHER

1. Put the **Grass Catcher** frame into the grass bag with the rigid part of the bag on the bottom. Make sure the frame handle is outside of the bag top.



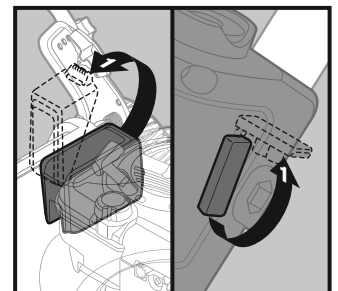
2. Slip the vinyl bindings over the frame.



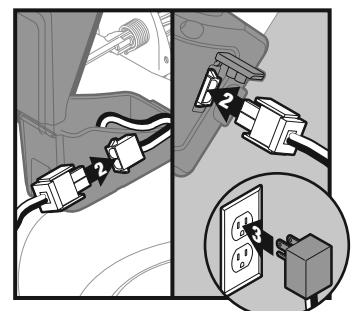
### TO PREPARE BATTERY (IF EQUIPPED)

**NOTE:** Your battery must be charged before you can start your lawn mower using the electric start.

1. Open the **Battery Box** or the **Battery Port**.



2. Connect the battery charge connector (male) to the harness connector (female).
3. Plug the battery charger into a 110 volt A.C. (60 Hz) outlet.
4. Leave the battery charger connected for 24 hours before starting your engine using the electric starter.





# SETUP

**IMPORTANT:** Check oil level before each use. Add oil if needed. Fill to "Full" line on dipstick.

## ADD GASOLINE

Fill fuel tank to bottom of tank filler neck. DO NOT overfill. Use fresh, clean, regular unleaded gasoline with a minimum of 87 octane. DO NOT mix oil with gasoline. Purchase fuel in quantities that can be used within 30 days to assure fuel freshness.



**CAUTION:** Wipe off any spilled oil or fuel. DO NOT store, spill or use gasoline near an open flame.

Alcohol blended fuels (called gasohol or using ethanol or methanol) can attract moisture which leads to separation and formation of acids during storage. Acidic gas can damage the fuel system of an engine while in storage. To avoid engine problems, the fuel system should be emptied before storage of 30 days or longer. Empty the gas tank, start the engine and let it run until the fuel lines and carburetor are empty. Use fresh fuel next season. NEVER use engine or carburetor cleaner products or permanent damage may occur.

## PRODUCT SPECIFICATIONS

Gasoline Capacity and Type:	Unleaded Regular (Maximum 10% ethanol)
Oil Type (API: SG-SL)	SAE 30 (above 32°F/0°C) SAE 5W30 (below 32°F/0°C)
Oil Capacity	See Engine Manual for more information.
Spark Plug	See Engine Manual.
Blade Bolt Torque	Std 9/16" hex = 35-40 FT.-LBS. (47-54 Nm)

**IMPORTANT NOTE:** Gasoline containing up to 10% ethanol (E10) is acceptable for use in this machine. The use of ANY gasoline exceeding 10% ethanol (E10) violates Federal law and will void the product warranty.

## START-UP CHECKLIST

Before you start up your new mower, we wish to ensure that you receive the best performance and satisfaction from this quality product.

PLEASE REVIEW THE FOLLOWING CHECKLIST:

- All assembly instructions have been completed.
- No remaining loose parts in the carton.
- The battery is properly prepared and charged (if equipped).
- Before starting to mow, make sure the area is clear of debris or objects that may be thrown by the blades.
- Check the engine oil level before starting the machine.
- Ensure a responsible adult, other than the operator, is supervising children in a safe location AWAY FROM THE MOWING AREA before starting the mower.
- Be sure the Operator Presence Control (OPC) is working properly. See Page 13.

# QUICK ASSEMBLY

**TOOLS REQUIRED FOR ASSEMBLY:** 1/2" Wrench

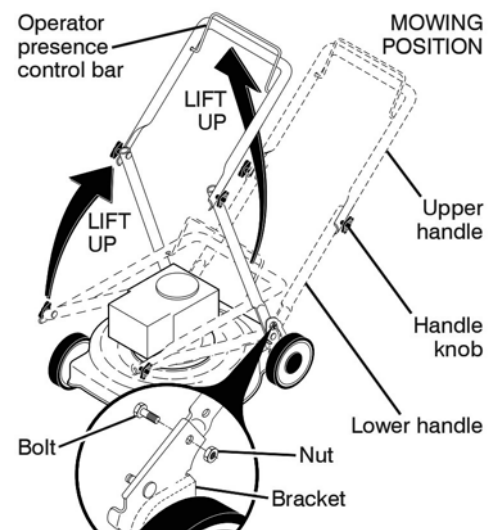
## HOW TO SET UP YOUR MOWER

### 1. UNFOLD HANDLE

**IMPORTANT:** Unfold handle carefully so as not to pinch or damage control cables.

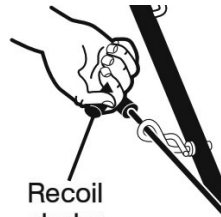
#### 21" MODELS:

- Raise handles until lower handle section locks into place in MOWING POSITION.
- Insert bolt through handle and bracket and secure with nut. A 1/2" wrench will be required.
- Remove protective padding, raise upper handle section into place on lower handle and tighten both upper knobs.



## QUICK ASSEMBLY

- Loosen knob on upper handle.
- Slowly pull engine Recoil starter handle.
- Slip starter rope into loop on upper handle.
- Tighten Knob.



Recoil  
starter  
handle

**IMPORTANT:** Before start your lawn mower be sure to read the operator manuals and all safety instructions included in the package.

### PREPARING THE ENGINE BEFORE STARTING

#### 2. CHECK ENGINE OIL LEVEL

- Be sure lawnmower is level.



- Remove oil dipstick from oil fill spout.



- Pour oil slowly. DO NOT overfill.



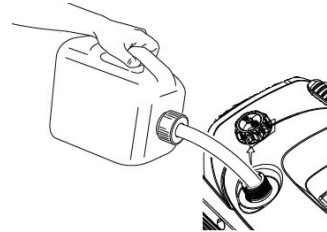
- Insert and tighten dipstick, then remove it to check oil level.



**IMPORTANT:** Check oil level before each use. Add oil if needed. Fill to "Full" line on dipstick.

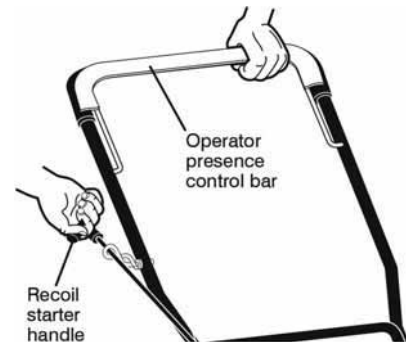
#### 3. ADD GASOLINE

Fill fuel tank to bottom of tank filler neck. DO NOT overfill. Use fresh, clean, regular unleaded gasoline with a minimum of 87 octane. DO NOT mix oil with gasoline. Purchase fuel in quantities that can be used within 30 days to assure fuel freshness.



#### 4. TO START THE ENGINE

- Hold the Operator Presence Control Bar down to the upper handle.
- Pull the Recoil starter handle (at the end of the starter rope) quickly.
- The mower it's ready for cutting
- To stop the engine, release the Operator presence control bar.



# INSTALACIÓN

## MONTAJE/ANTES DE USAR



**PRECAUCIÓN:** Lea toda la GUÍA DE REFERENCIA antes de usar esta máquina.

**IMPORTANTE:** ESTA PODADORA SE ENVÍA SIN ACEITE NI GASOLINA EN EL MOTOR.

Su nueva podadora viene ensamblada de fábrica, a excepción de las piezas que quedan sin ensamblar para su envío. Todas las piezas tales como tuercas, arandelas, pernos, etc., que se necesitan para completar el ensamblaje se encuentran en la bolsa de piezas. Para garantizar un funcionamiento seguro y correcto de la podadora, todas las piezas y accesorios que ensamble deben ajustarse bien. Utilice las herramientas correctas como sea necesario para garantizar un ajuste adecuado.

## INSTALACIÓN

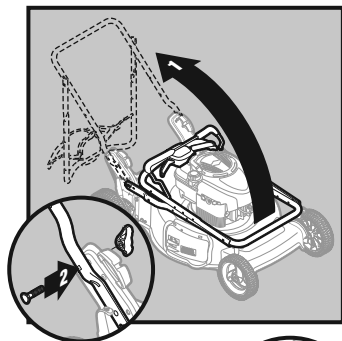
### PARA RETIRAR LA PODADORA DE LA CAJA

1. Retire las piezas sueltas que vienen con la podadora.
2. Corte las dos esquinas de la caja y deje plano el panel del fondo.
3. Retire todos los materiales del embalaje, excepto el relleno entre la manija superior e inferior y el relleno de apoyo de la barra de control de presencia del operador a la manija superior.
4. Empuje la podadora para quitarla de la caja y compruebe que no queden otras piezas sueltas en la caja.

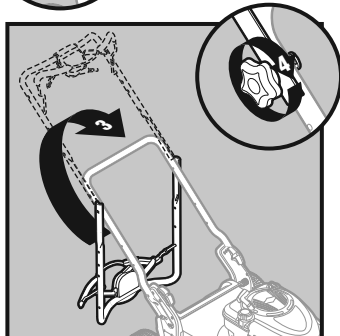
### CÓMO INSTALAR SU PODADORA

**IMPORTANTE:** Despliegue la manija con cuidado para evitar apretar o dañar los cables de control.

1. Eleve las manijas hasta que la parte inferior de la manija quede trabada en la posición de corte.
2. Inserte los pernos de la manija en la manija inferior. Coloque y ajuste las **perillas** para fijar la manija.

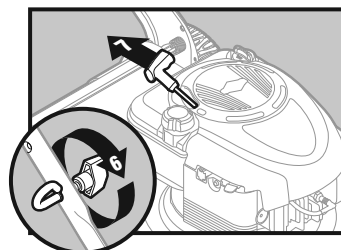


3. Retire el relleno de protección, trabe la parte de la manija superior sobre la manija inferior.
4. Ajuste las **perillas** para fijar la manija.
5. Retire el relleno de la manija que apoya la **barra de control de presencia del operador** a la manija superior (SI SE INCLUYE).



**NOTA:** En algunos modelos, la manija de la máquina podadora puede ajustarse para un corte más cómodo. Consulte la sección "PARA AJUSTAR LA MANIJA" del Manual del Operador.

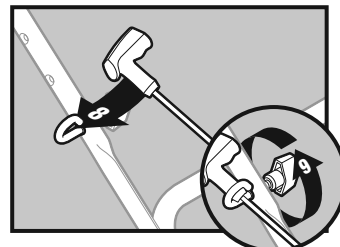
6. Afloje la perilla de la manija superior.
7. Tire lentamente de la **manija de arranque** del motor.



8. Deslice la cuerda de arranque por el bucle de la manija superior.

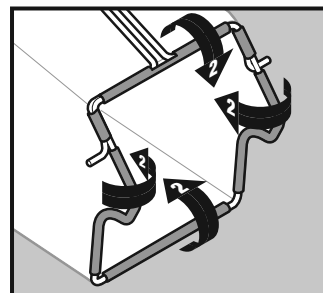
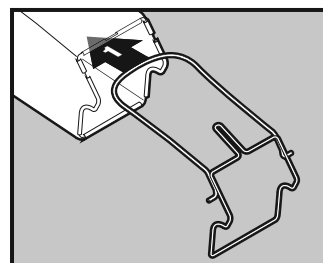
**NOTA:** Asegúrese de que el bucle esté apuntando hacia ARRIBA.

9. Ajuste la **perilla**.



## PARA MONTAR EL COLECTOR DE CÉSPED

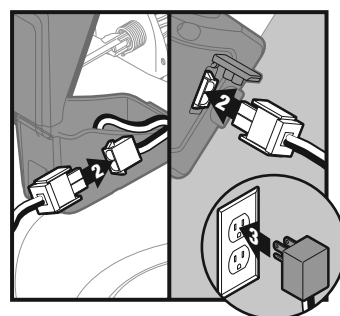
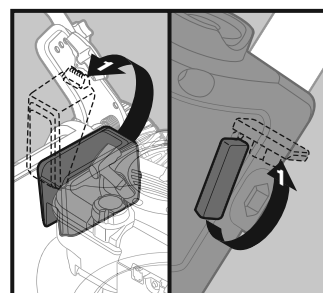
1. Coloque el armazón del **colector de césped** en la bolsa para césped con la parte rígida de la bolsa en el fondo. Asegúrese de que la manija del armazón quede fuera de la parte superior de la bolsa.
2. Deslice los flejes de vinilo por el armazón.



## PARA PREPARAR LA BATERÍA (SI SE INCLUYE)

**NOTA:** La batería debe cargarse antes de poner en marcha la podadora con el arranque eléctrico.

1. Abra la **caja de la batería** o el **puerto de la batería**.
2. Conecte el conector de carga de la batería (macho) en el conector del mazo de cables (hembra).
3. Conecte el cargador de la batería en una toma de 110 voltios de C.A. (60 Hz).
4. Deje el cargador de la batería conectado durante 24 horas antes de poner en marcha el motor con el arranque eléctrico.



# INSTALACIÓN

**IMPORTANTE:** Compruebe el nivel de aceite antes de cada uso. Agregue aceite si es necesario. Rellene hasta la línea "Full" (Lleno) de la varilla indicadora del nivel de aceite.

## AGREGADO DE GASOLINA

Llene el tanque de combustible por debajo del embudo de llenado del tanque. NO llene en exceso. Use gasolina nueva, limpia y regular sin plomo con un mínimo de 87 octanos. NO mezcle el aceite con la gasolina. Compre el combustible en cantidades que puedan usarse en un período de 30 días para garantizar que el combustible sea nuevo.



**PRECAUCIÓN:** Limpie todo el aceite o combustible que se haya salpicado. NO almacene, derrame ni utilice gasolina cerca de una llama.

Los combustibles mezclados con alcohol (llamados gasohol o que usan etanol o metanol) pueden atraer la humedad y producir la separación o formación de ácidos durante su almacenamiento. El gas ácido puede dañar el sistema de combustible del motor durante su almacenamiento. Para evitar problemas en el motor, el sistema de combustible debe vaciarse antes de un almacenamiento de 30 días o más. Vacíe el tanque de gasolina, arranque el motor y déjelo funcionar hasta que las líneas de combustible y el carburador se vacíen. En la siguiente temporada utilice combustible nuevo. NUNCA use productos para limpiar motores o carburadores en el tanque de combustible, ya que esto puede causar daños permanentes.

## ESPECIFICACIONES DEL PRODUCTO

Capacidad y tipo de gasolina:	Regular sin plomo (Máximo 10% de etanol)
Tipo de aceite (API: SG-SL)	SAE 30 (por sobre 32 °F/0 °C) SAE 30 (por debajo de 32 °F/0 °C)
Capacidad de aceite	Vea el Manual del motor para obtener más información.
Bujía de encendido	Vea el Manual del motor.
Torque estándar del perno de la cuchilla	9/16" hex = 35-40 ft-lb (47-54 Nm)

**NOTA IMPORTANTE:** La gasolina con contenido de hasta 10% de etanol (E10) es aceptable para el uso en esta máquina. El uso de TODA gasolina que supere el 10% de etanol (E10) infringe la ley federal y anula la garantía del producto.

## LISTA DE COMPROBACIÓN ANTES DEL ARRANQUE

Antes de poner en marcha su nueva podadora, queremos asegurarnos de que obtenga un óptimo rendimiento y satisfacción de este producto de calidad.

REVISE LA SIGUIENTE LISTA DE COMPROBACIÓN:

- Se han cumplido todas las instrucciones de ensamblaje.
- No quedaron piezas sueltas en la caja.
- La batería está correctamente preparada y cargada (si se incluye).
- Antes de poner en marcha la podadora, asegurarse de que el área esté libre de escombros u objetos que puedan arrojar las cuchillas.
- Comprobar el nivel de aceite del motor antes de poner en marcha el motor.
- Asegurarse de que un adulto responsable, que no sea el operador, esté supervisando a los niños en un lugar seguro LEJOS DEL ÁREA DE CORTE DEL CÉSPED antes de poner en marcha la podadora.
- Asegurarse de que el control de presencia del operador (OPC) se encuentre funcionando correctamente. Ver la página 15.

# ENSAMBLE RÁPIDO

**HERRAMIENTA REQUERIDA PARA EL ENSAMBLE:** Llave 1/2"

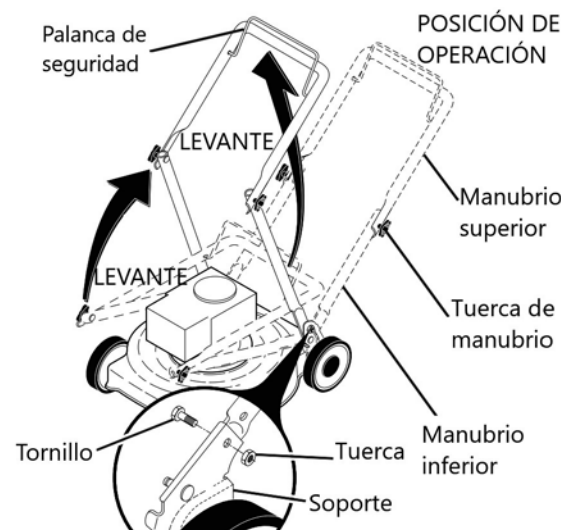
## COMO ARMAR SU PODADORA

### 1. MANUBRIO DESPLEGABLE

**IMPORTANTE:** Despliegue el manubrio con cuidado para no pellizcar o dañar el cable de seguridad.

### MODELOS DE 21":

- Levante los manubrios hasta que el manubrio inferior baje y se bloquee en la POSICIÓN DE OPERACIÓN.
- Inserte el perno a través del manubrio y el soporte asegúrelo con una tuerca. Se requiere una llave de 1/2".
- Remueva el protector y apriete las tuercas mariposas que unen los manubrios



# ENSAMBLE RÁPIDO

- Accione la Palanca de seguridad.
- Empuñe con firmeza el Retráctil de arranque y tire del cable sin esfuerzo.
- Deslice la cuerda de arranque por el bucle de la manija superior.
- Ajuste la tuerca mariposa.



**IMPORTANTE:** Antes de encender la cortadora de pasto asegúrese de leer los manuales de propietario y las advertencias de seguridad incluidos en la caja del producto.

## PREPARACIÓN DEL MOTOR ANTES DEL ARRANQUE

### 2. COMPRUEBE EL NIVEL DE ACEITE DEL MOTOR

- Asegúrese que la podadora esté nivelada.
- Retire la varilla indicadora del nivel de aceite del pico de llenado.
- Vierta lentamente el aceite. NO llene en exceso.
- Inserte y ajuste la varilla indicadora del nivel de aceite.



### 4. ENCENDIDO DE MOTOR

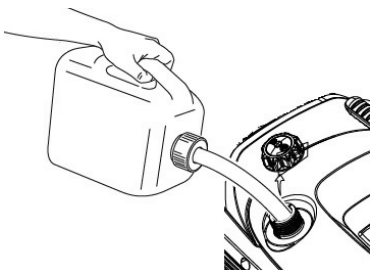
- Mantenga presionada la palanca de seguridad contra el manubrio.
- Empuñe con firmeza el retráctil de arranque y tire del cable rápidamente.
- La podadora deberá de estar lista para cortar el pasto.
- Para detener el motor suelte la palanca de seguridad.



**IMPORTANTE:** Compruebe el nivel de aceite antes de cada uso. Agregue aceite si es necesario. Rellene hasta la línea "Full" (Lleno) de la varilla indicadora del nivel de aceite.

### 3. AGREGADO DE GASOLINA

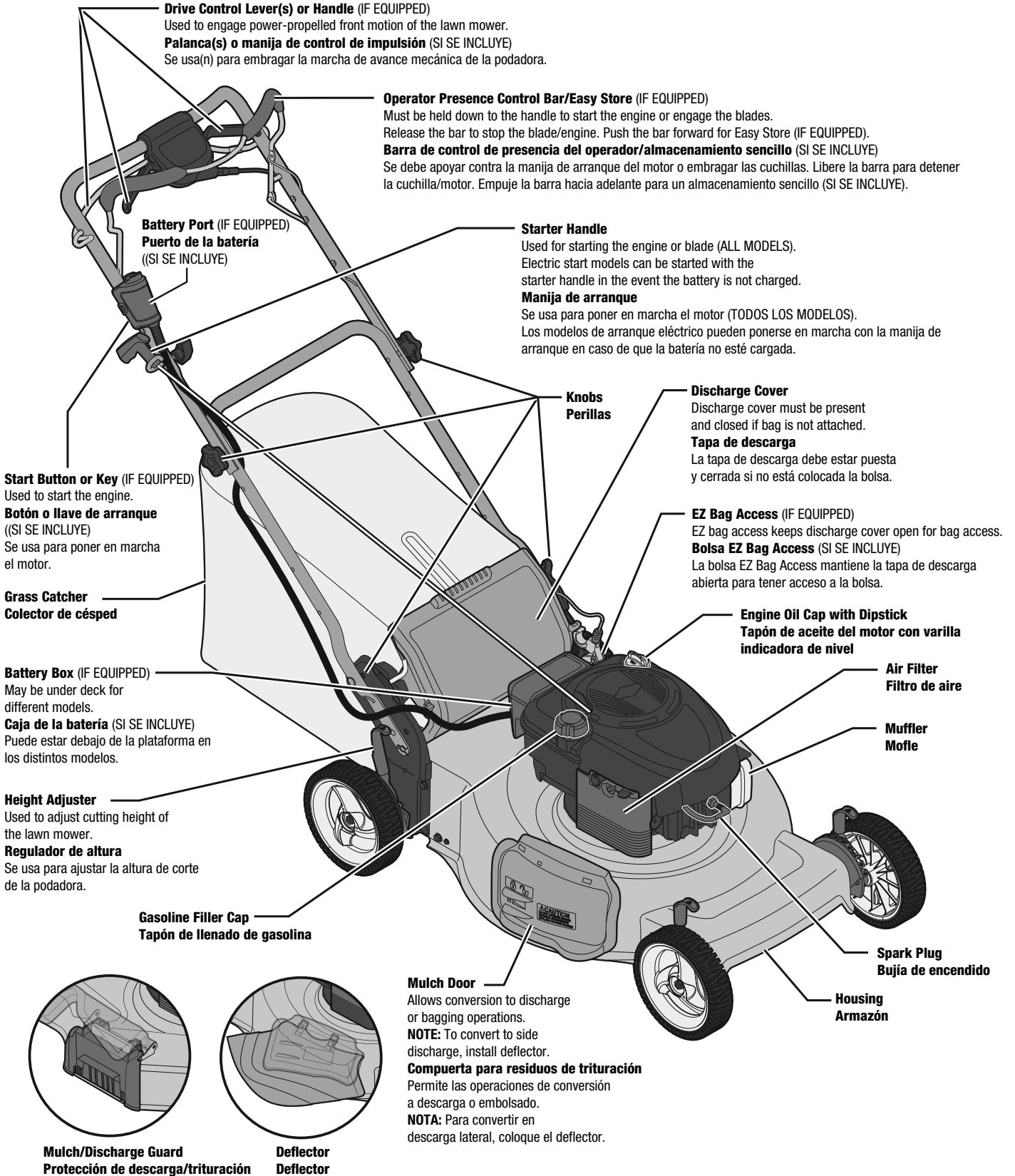
Llene el tanque de combustible por debajo del cuello de llenado del tanque. NO llene en exceso. Use gasolina nueva, limpia y regular sin plomo con un mínimo de 87 octanos. NO mezcle el aceite con la gasolina. Compre el combustible en cantidades que puedan usarse en un período de 30 días para garantizar que el combustible sea nuevo.



# LAWN MOWER CONTROLS//CONTROLES DE LA PODADORA

Compare the illustrations with your lawn mower to familiarize yourself with the locations of various controls and adjustments. Save this Quick Reference Guide for future reference. Not every model of lawn mower will have all these features.

Compare las ilustraciones con su podadora para familiarizarse con la ubicación de los distintos controles y ajustes. Conserve esta Guía de referencia rápida para referencia futura. No todos los modelos de máquinas cortadoras de césped cuentan con todas estas funciones.



# HOW TO OPERATE THE LAWN MOWER

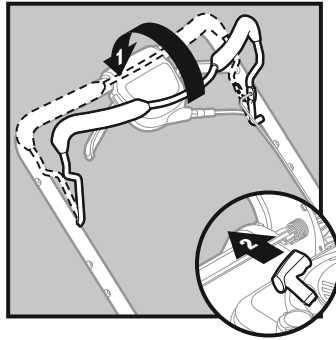
## TO START THE ENGINE

**NOTE:** Due to protective coatings on the engine, a small amount of smoke may be present during the initial use of the lawn mower. This is normal.

**NOTE:** Your engine may be equipped with an automatic choke system. No priming or choking is required before starting for these models. On other models, either a choke lever or a priming bulb is provided. Use this to start a cold engine.

## TO START THE ENGINE USING STARTER ROPE

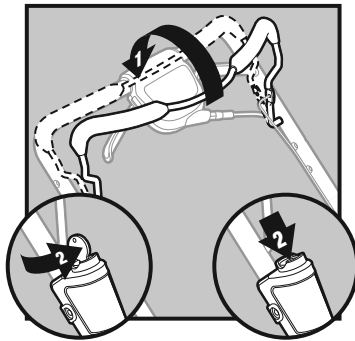
1. To start the engine using the starter rope, hold the **Operator Presence Control Bar** down to the upper handle.
2. Pull the **Starter Handle** (at the end of the starter rope) quickly. DO NOT allow the starter rope to snap back.



## TO START THE ENGINE USING THE KEY START (IF EQUIPPED)

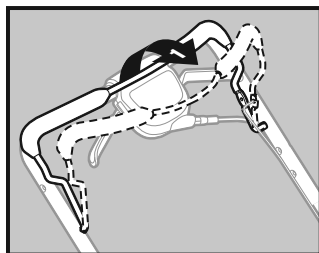
1. To start the engine, hold the **Operator Presence Control Bar** down to the handle.
2. Turn the **Start Key** or press the **Start Button**.

**IMPORTANT NOTE: DO NOT CRANK THE ENGINE MORE THAN FIVE CONTINUOUS SECONDS EACH TIME YOU TRY TO START. WAIT FIVE TO 10 SECONDS BETWEEN EACH ATTEMPT TO START.**



## TO STOP THE ENGINE AND BLADE

1. To stop the engine, release the **Operator Presence Control Bar**.



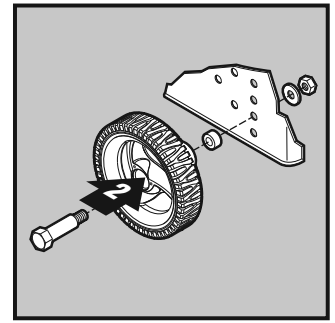
## TO SET THE MOWER CUTTING HEIGHT

**IMPORTANT NOTE: MAKE SURE ENGINE AND BLADE ARE STOPPED.** Adjust the cutting height to suit your requirements. The "Middle" position is suitable for most lawns. Raise the wheels for low cut and lower the wheels for a high cut. See page 19 of this guide for a grass height cutting guide.

**NOTE:** For shipping purposes the rear wheels on your lawn mower may not be adjusted to the same position as the front wheels. Before operating the mower adjust all wheels to the same cutting height.

## MANUAL ADJUSTMENT MODELS

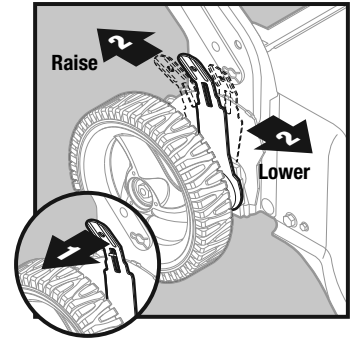
1. Remove the wheel, bolt, and hardware and reassemble in the desired adjustment hole.
2. Reinstall the wheel components in the same order in which they were removed. Tighten all hardware securely.
3. Make sure all the wheels are at the same height.



## QUICK ADJUSTMENT MODELS

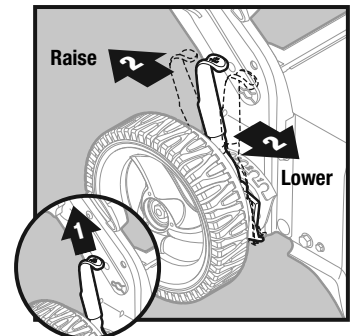
1. To change the cutting height, squeeze the **Height Adjuster** lever toward the wheel.
2. Move the wheel up or down to the desired position and release the lever to lock the wheel in position. Be sure all the wheels are at the same height.

**NOTE:** The height adjuster is properly positioned when the plate tab inserts into the hole in the lever. 9-position adjusters (IF EQUIPPED) allow the lever to be positioned between the plate tabs.



## QUICK PIN MODELS

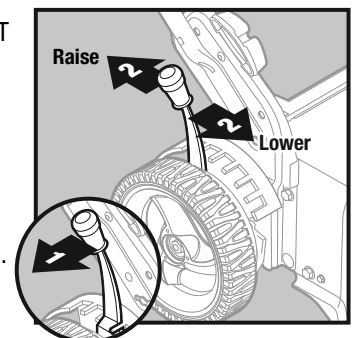
1. To change the cutting height, pull the **Height Adjuster** lever up.
2. Move the lever backwards or forwards to the desired position and release the lever to lock the wheel in position. Be sure all the wheels are at the same height.



## SINGLE POINT HEIGHT ADJUSTMENT MODELS

All four wheels are adjusted by a single lever.

1. Pull **Height Adjuster** toward wheel.
2. To raise the mower, move the lever forward to desired position. To lower the mower, move the lever toward the rear.

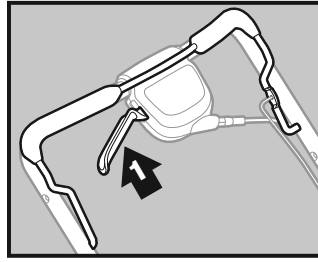


# HOW TO OPERATE THE LAWN MOWER

## DRIVE CONTROL (IF EQUIPPED)

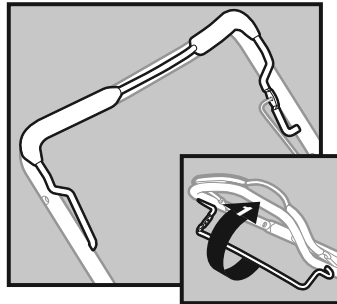
### DRIVE CONTROL LEVER(S)

1. Self-propelling is controlled by holding the **Operator Presence Control Bar** down to the handle and pulling the **Drive Control Lever(s)** rearward to the handle. The further toward the handle the lever is pulled, the faster the machine will travel.
2. To stop forward motion without stopping the engine, release the **Drive Control Lever(s)** or handle only. Hold the **Operator Presence Control Bar** down against the handle to continue mowing without self-propelling.



### DRIVE CONTROL HANDLE

1. Self-propelling is controlled by holding the **Operator Presence Control Bar** down to the handle and pulling the **Drive Control Handle** to the handle.
2. To stop forward motion without stopping the engine, release the **Drive Control Handle**. Hold the **Operator Presence Control Bar** down against the handle to continue mowing without self-propelling.



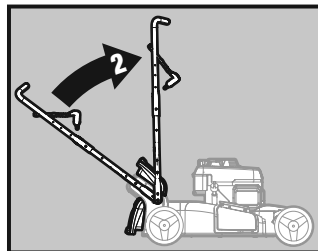
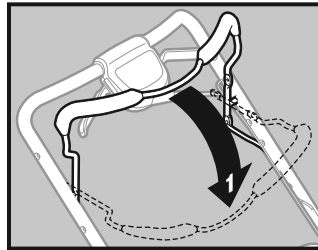
**NOTE:** After releasing the drive control if the mower will not roll backwards, push the mower forward slightly to disengage the drive wheels.

## TO CONVERT MOWER

Your lawn mower may have been shipped ready to be used as a mulcher. To convert to bagging or discharge modes:

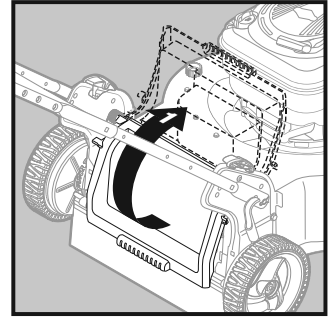
### EZ STORE (IF EQUIPPED)

1. Push the **Operator Presence Control Bar** forward.
2. Lift handle. This will allow easy removal and replacement of the **Grass Catcher**.

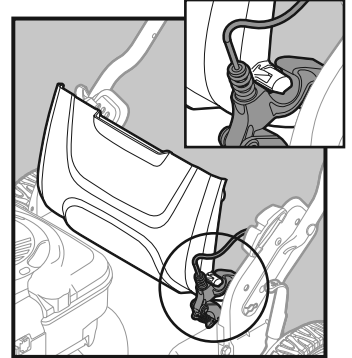


## REAR BAGGING

1. Lift rear door of the lawn mower.

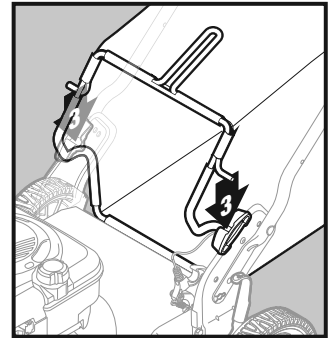


2. Ensure that the rear door locks into the **EZ Bag Access** (IF EQUIPPED).

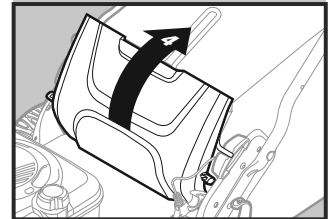


3. Place the **Grass Catcher** frame hooks onto the grass bag brackets.

**NOTE:** For clarity, rear door is not shown.



4. Rear door will release from the **EZ Bag Access** (IF EQUIPPED) and rest on **Grass Catcher**.



5. Ensure that rear door covers any gap between mower deck and bagging unit.
6. To convert to mulching or discharging operation, remove **Grass Catcher** and close the rear door.



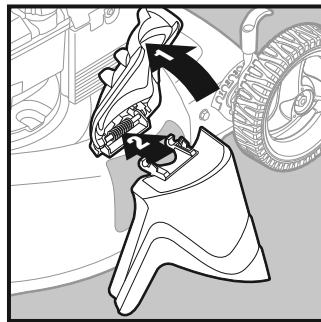
## HOW TO OPERATE THE LAWN MOWER

### SIDE DISCHARGING

**IMPORTANT: THE REAR DOOR (IF EQUIPPED) MUST BE CLOSED.**

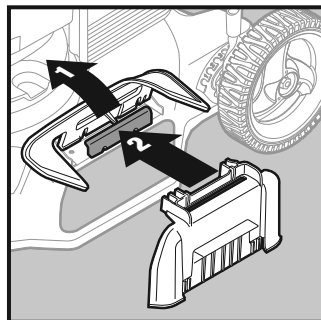
1. Open the **Mulch Door**.
2. Install the discharge deflector under the door as shown.  
The mower is now ready for discharging operation.

**NOTE:** To convert to mulching or bagging operation, side mulch door must be closed and, if equipped with a latch, the latch should be in the locked position.



### MULCH/DISCHARGE GUARD

1. Open the **Mulch Door**.
2. Install the **Mulch/Discharge Guard** under the door as shown.  
The mower is now ready for mulching operation.



### SIMPLE STEPS TO REMEMBER WHEN CONVERTING YOUR LAWN MOWER

#### FOR MULCHING

- The rear door is closed.
- The mulch door is closed and, if equipped with a latch, the latch is locked.

#### FOR REAR BAGGING

- The grass catcher is installed.
- The mulch door is closed and, if equipped with a latch, the latch is locked.

#### FOR SIDE DISCHARGING

- The rear door is closed.
- The discharge deflector is installed.



**CAUTION:** DO NOT run your lawn mower without the rear door closed or an approved grass catcher properly installed. NEVER attempt to operate the mower with the rear door removed or propped open. Serious injury may result from operating the mower with the rear discharge open.

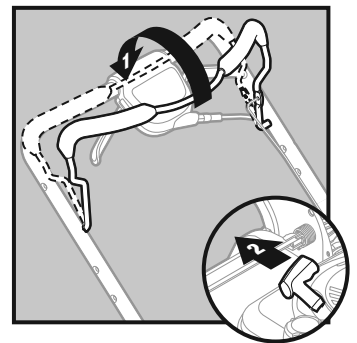
## CÓMO USAR LA PODADORA

### PARA PONER EN MARCHA EL MOTOR

**NOTA:** Debido a las cubiertas protectoras del motor, puede que haya algo de humo durante el uso inicial de la podadora. Esto es normal. **NOTA:** El motor puede contar con sistema automático para mezcla de combustible (choke). En estos modelos no es necesario cebado ni estrangulación antes del arranque. En otros modelos, se proporciona una palanca de estrangulación o bomba de cebado. Úselo para poner en marcha el motor en frío.

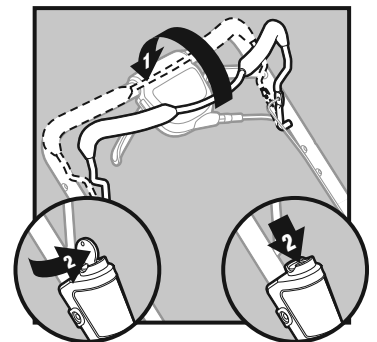
### PARA PONER EN MARCHA EL MOTOR CON LA CUERDA DE ARRANQUE

1. Para poner en marcha el motor con la cuerda de arranque, tire la **barra de control de presencia del operador** contra la manija superior.
2. Tire de la **manija de arranque** (al final de la cuerda de arranque) rápidamente. NO permita que vuelva la cuerda de arranque.



### PARA PONER EN MARCHA EL MOTOR CON LA LLAVE (SI SE INCLUYE)

1. Para poner en marcha el motor, tire la **barra de control de presencia del operador** contra la manija.
2. Gire la **llave de arranque** o presione el **botón de arranque**.

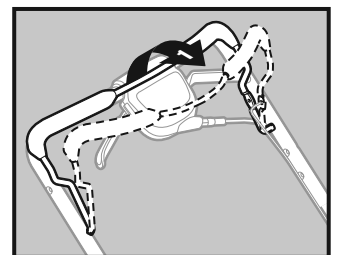


### **NOTA IMPORTANTE: NO**

ARRANQUE EL MOTOR DURANTE MÁS DE CINCO SEGUNDOS CADA VEZ QUE INTENTE PONERLO EN MARCHA. ESPERE ENTRE CINCO Y DIEZ MINUTOS ENTRE CADA INTENTO DE ARRANQUE.

### PARA DETENER EL MOTOR Y LA CUCHILLA

1. Para detener el motor, suelte la **barra de control de presencia del operador**.



### PARA AJUSTAR LA ALTURA DE CORTE DE LA podadora

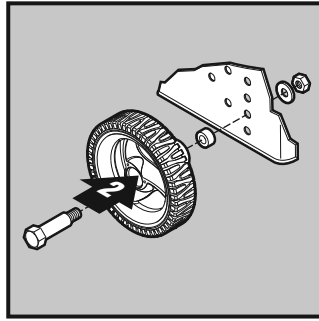
**NOTA IMPORTANTE:** ASEGÚRESE DE QUE EL MOTOR Y LA CUCHILLA ESTÉN DETENIDOS. Ajuste la altura de corte para adaptarla a sus necesidades. La posición "media" es adecuada para la mayoría de los tipos de césped. Eleve las ruedas para un corte bajo y bájelas para un corte alto. Vea la página 19 de esta guía a modo de guía de altura de corte del césped.

**NOTA:** Por motivos de envío, las ruedas traseras de su podadora no pueden ajustarse a la misma posición que las delanteras. A tes de usar la podadora, ajuste todas las ruedas a la misma altura de corte.

# CÓMO USAR LA PODADORA

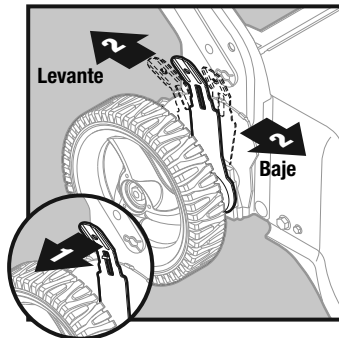
## MODELOS DE AJUSTE MANUAL

1. Retire la rueda, el perno y los accesorios, y vuelva a ensamblar en el orificio de ajuste deseado.
2. Vuelva a instalar los componentes de la rueda en el mismo orden en que los quitó. Ajuste bien todos los accesorios.
3. Asegúrese de que todas las ruedas estén a la misma altura.



## MODELOS DE AJUSTE RÁPIDO

1. Para cambiar la altura de corte, oprima la **palanca de ajuste de altura** hacia la rueda.
2. Mueva la rueda hacia arriba o hacia abajo hasta la posición deseada y suelte la palanca para trabar la rueda en su posición. Procure que todas las ruedas estén a la misma altura.

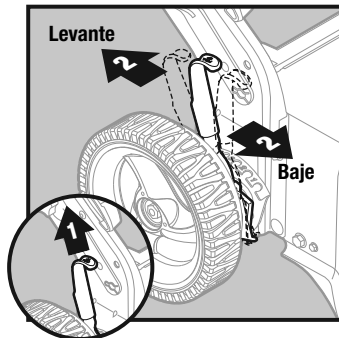


### NOTA: El regulador de altura

está correctamente posicionado cuando las lengüetas de la placa se insertan en el orificio en la palanca. Los reguladores de 9 posiciones (SI SE INCLUYEN) permiten posicionar la palanca entre las lengüetas de la placa.

## MODELOS DE PIN RÁPIDO

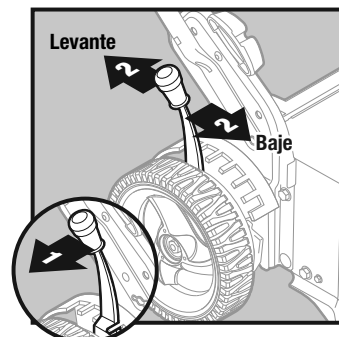
1. Para cambiar la altura de corte, eleve la **palanca de ajuste de altura** hacia arriba.
2. Mueva la palanca hacia atrás o adelante hasta la posición deseada y libere la palanca para trabar la rueda en su posición. Procure que todas las ruedas estén a la misma altura.



## MODELOS DE ÚNICO PUNTO DE AJUSTE DE ALTURA

Las cuatro ruedas se ajustan con una sola palanca.

1. Tire el **regulador de altura** hacia la rueda.
2. Para levantar la podadora, mueva la palanca hacia adelante hasta la posición deseada. Para bajar la podadora, mueva la palanca hacia atrás.

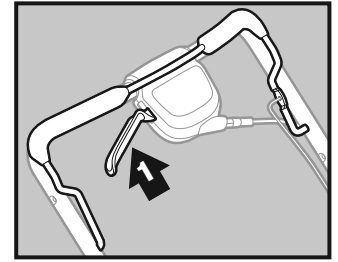


## CONTROL DE PROPULSIÓN

(SI SE INCLUYE)

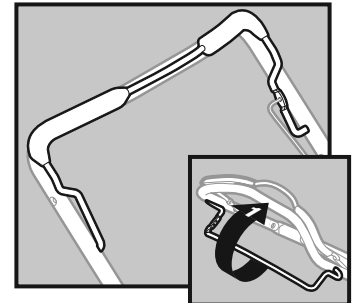
### PALANCA(S) DE CONTROL DE PROPULSIÓN

1. La autopropulsión se controla bajando la **barra de control de presencia del operador** apoyándola en la manija y tirando de la(s) **palanca(s) de control de propulsión** hacia atrás, hacia la manija. Cuanto más cerca queda la palanca de la manija, más rápido se desplaza la máquina.
2. Para parar el movimiento de avance sin detener el motor, solo suelte la(s) **palanca(s) de control de propulsión** o la manija. Baje la **barra de control de presencia del operador** contra la manija para continuar cortando el césped sin autopropulsión.



### MANIJA DE CONTROL DE PROPULSIÓN

1. La autopropulsión se controla bajando la **barra de control de presencia del operador** apoyándola en la manija y tirando de la **manija de control de propulsión** hacia la manija.
2. Para parar el movimiento de avance sin detener el motor, suelte la **manija de control de propulsión**. Baje la **barra de control de presencia del operador** contra la manija para continuar cortando el césped sin autopropulsión.



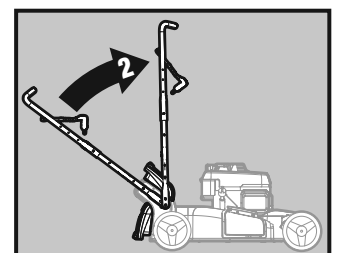
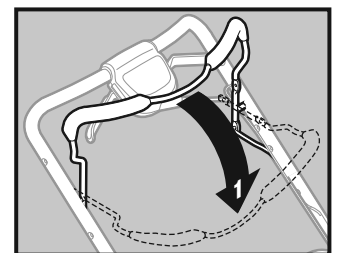
**NOTA:** Después de soltar el control de propulsión si la podadora no va hacia atrás, empuje un poco hacia adelante la podadora para desembragar las ruedas impulsoras.

## PARA CONVERTIR LA PODADORA

Su podadora puede haberse enviado lista para usar como trituradora de césped. Para convertir a los modos de descarga y embolsado:

### EZ STORE (SI SE INCLUYE)

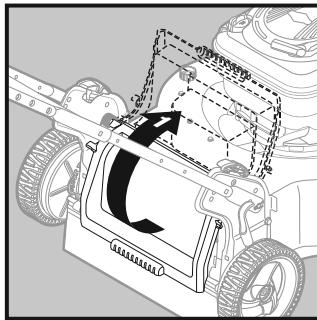
1. Empuje hacia adelante la **barra de control de presencia del operador**.
2. Levante la manija. De esta forma se podrá extraer y reemplazar fácilmente el **colector de césped**.



# CÓMO USAR LA PODADORA

## BOLSA TRASERA

1. Levante la compuerta trasera de la podadora.

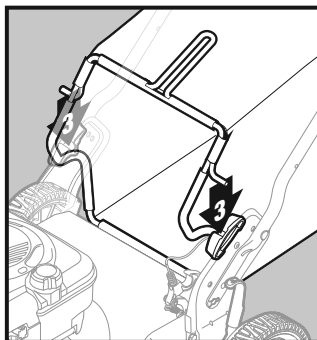


2. Asegúrese de que la compuerta trasera esté trabada en la **bolsa EZ Bag Access** (SI SE INCLUYE).

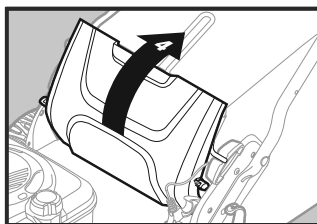


3. Coloque los ganchos del armazón del **colector de césped** en los soportes de la bolsa para césped.

**NOTA:** Para mayor claridad, no se muestra la compuerta trasera.



4. La compuerta trasera se soltará de la **bolsa EZ Bag Access** (SI SE INCLUYE) y se apoyará sobre el **colector de césped**.

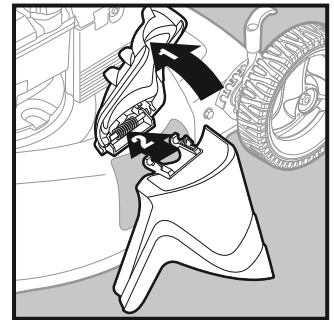


5. Asegúrese de que la compuerta trasera cubra todos los huecos entre la plataforma de la podadora y la unidad de embolsado.
6. Para pasar al modo de trituración o descarga, retire el **colector de césped** y cierre la compuerta trasera.

## DESCARGA LATERAL

**IMPORTANTE:** LA COMPUERTA TRASERA (SI SE INCLUYE) **DEBE ESTAR CERRADA.**

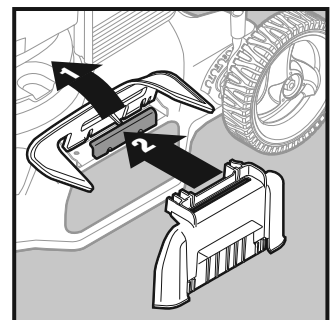
1. Abra la **compuerta de trituración**.
2. Coloque el deflector de descarga debajo de la compuerta como se muestra. La podadora ahora está lista para usarse en modo de descarga.



**NOTA:** Para pasar al modo de trituración o embolsado, la compuerta de trituración lateral debe estar cerrada y, si cuenta con el seguro, este debe estar trabado.

## PROTECCIÓN DE TRITURACIÓN/DESCARGA

1. Abra la **compuerta de trituración**.
2. Coloque la **protección de trituración/descarga** debajo de la compuerta, como se muestra. La podadora ahora está lista para usarse en modo de trituración.



## PASOS SENCILLOS A TENER EN CUENTA PARA CONVERTIR LA PODADORA

### PARA TRITURACIÓN

- La compuerta trasera debe estar cerrada.
- La compuerta de trituración debe estar cerrada y, si tiene seguro, este debe estar trabado.

### PARA EMBOLSADO TRASERO

- El colector de césped debe estar colocado.
- La compuerta de trituración debe estar cerrada y, si tiene seguro, este debe estar trabado.

### PARA DESCARGA LATERAL

- La compuerta trasera debe estar cerrada.
- El deflector de descarga debe estar colocado.



**PRECAUCIÓN:** NO use la podadora sin la compuerta trasera cerrada o con un colector de césped aprobado correctamente instalado. NUNCA intente usar la cortadora

de césped sin la compuerta trasera o si esta está levantada. Pueden producirse lesiones graves si se usa la podadora con la compuerta de descarga trasera abierta.

## OPERATING TIPS

### MOWING TIPS



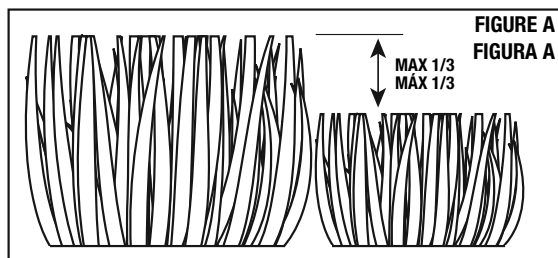
**CAUTION:** DO NOT use de-thatcher blade attachments on your mower. Such attachments are hazardous, will damage your mower, and could void your warranty.

- Under certain conditions, such as very tall grass, it may be necessary to raise the height of cut to reduce pushing effort and to keep from overloading the engine and leaving clumps of grass clippings. It may also be necessary to reduce ground speed and/or run the lawn mower over the area a second time.
- For extremely heavy cutting, reduce the width of cut by overlapping previously cut path and mow slowly.
- For better grass bagging and most cutting conditions, the engine speed should be set in the fast position.
- Pores in cloth grass catchers can become filled with dirt and dust with use and catchers will collect less grass. To prevent this, regularly hose catcher off with water and let dry before using.
- Keep top of engine around starter clear and clean of grass clippings and chaff. This will help engine air flow and extend engine life.

### MULCHING MOWING TIPS

**IMPORTANT:** For best performance, keep mower housing free of built-up grass and trash. See “Cleaning” in the Maintenance section of the Operator’s Manual.

- The special mulching blade will recut the grass clippings many times and reduce them in size so that as they fall onto the lawn they will disperse into the grass and not be noticed. Also, the mulched grass will biodegrade quickly to provide nutrients for the lawn. ALWAYS mulch with your highest engine (blade) speed as this will provide the best recutting action of the blades.
- Avoid cutting your lawn when it is wet. Wet grass tends to form clumps and interferes with the mulching action. The best time to mow your lawn is the early afternoon. At this time the grass has dried, yet the newly cut area will not be exposed to direct sunlight.
- For best results, adjust the lawn mower cutting height so that the lawn mower cuts off only the top one-third of the grass blades (Figure A). If the lawn is overgrown it will be necessary to raise the height of cut to reduce pushing effort and to keep from overloading the engine and leaving clumps of mulched grass. For extremely heavy mulching, reduce your width of cut by overlapping previously cut path and mow slowly.



- Certain types of grass and grass conditions may require that an area be mulched a second time to completely hide the clippings. When doing a second cut, mow across (perpendicular) to the first cut path.
- Change your cutting pattern from week to week. Mow north to south one week, then east to west the next week. This will help prevent matting and graining of the lawn.

## CONSEJOS PARA EL USO

### CONSEJOS PARA CORTAR EL CÉSPED



**PRECAUCIÓN:** NO use accesorios de cuchilla desmalezadora en su podadora. Estos son peligrosos, dañan la podadora, y podrían anular la garantía.

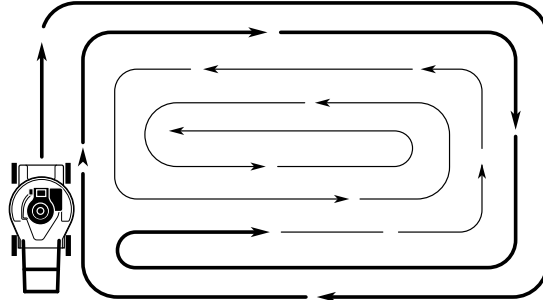
- En algunas circunstancias, como en el caso de césped muy alto, puede que sea necesario elevar la altura de corte para reducir el esfuerzo de empuje y evitar sobrecargar el motor y dejar montones de césped cortado. Puede que también sea necesario reducir la velocidad y/o hacer una segunda pasada con la podadora por el área.
- Para los cortes más difíciles, reduzca el ancho de corte superponiendo los caminos ya cortados y pase la cortadora lentamente.
- Para un mejor embolsado del césped y en la mayoría de las condiciones de corte, la velocidad del motor debe fijarse en posición rápida.
- Los poros de los colectores de césped de tela pueden llenarse de suciedad y polvo con el uso y recolectar menor cantidad de césped. Para evitarlo, pase agua con una manguera para limpiar el colector periódicamente y déjelo secar antes de usar.
- Mantenga la parte superior del motor que rodea el arrancador limpio y libre de amontonamientos de césped y paja. Esto ayudará a que el aire circule por el motor y prolongará su vida útil.

### CONSEJOS PARA TRITURAR EL CÉSPED

**IMPORTANTE:** Para un mejor rendimiento, mantenga la carcasa de la podadora libre de acumulación de césped y residuos. Vea “Limpieza” en la sección Mantenimiento del Manual del Operador.

- La cuchilla trituradora especial vuelve a cortar los montones de césped varias veces y los reduce en tamaño de modo que caigan en el césped y se dispersen allí sin que se noten. Además, el césped triturado se biodegrada rápidamente y proporciona nutrientes al césped. SIEMPRE triture a la máxima velocidad del motor (cuchilla), ya que esto proporcionará la mejor acción de recorte de las cuchillas.
- Evite cortar el césped cuando está mojado. El césped mojado tiende a aglomerarse e interfiere con la acción de trituración. El mejor momento para cortar el césped es temprano por la tarde. A esta hora el césped está seco, pero el área recientemente cortada no estará expuesta a la luz solar directa.
- Para obtener los mejores resultados, ajuste la altura de corte del césped de manera que la cortadora corte solo el primer tercio del césped (Figura A). Si el césped está demasiado crecido será necesario elevar la altura de corte para reducir el esfuerzo de empuje y evitar sobrecargar el motor y dejar montones de césped cortado. Para los cortes más difíciles, reduzca el ancho de corte superponiendo los caminos ya cortados y pase la cortadora lentamente.
- Ciertos tipos y condiciones de césped pueden requerir una segunda pasada de la trituradora por el área para ocultar por completo los montones de césped cortado. En la segunda pasada, corte de forma perpendicular al camino de la primera pasada.
- Cambie el patrón de corte entre una semana y otra. Corte de norte a sur una semana y de este a oeste a la siguiente. Esto ayudará a evitar el rastrillaje y el veteado del césped.

## CUTTING GUIDE/GUÍA DE CORTE



## MAINTENANCE SCHEDULE/PROGRAMA DE MANTENIMIENTO

	Before Each Use/ Antes de cada uso	After Each Use/ Después de cada uso	Every 10 Hours/ Cada 10 horas	Every 25 Hours or Season/ Cada 25 horas o cada temporada	Every 100 Hours/ Cada 100 horas	Before Storage/ Antes de almacenar
LAWN MOWER/PODADORA	Check for loose fasteners/Verifique que no haya sujetadores flojos	X				X
	Clean/inspect grass catcher*/Limpie/inspeccione el colector de césped*	X	X			X
	Check tires/Controle los neumáticos	X				
	Clean drive wheels***/Limpie las ruedas de impulsión***	X				
	Clean lawn mower****/Limpie la podadora****		X			X
	Clean under drive cover***/Limpie debajo de la cubierta del impulsor***			X		
	Check drive belt/pulleys***/Controle las correas/poleas del impulsor***				X	
	Check/sharpen/replace blade/Controle/afile/reemplace la cuchilla				X <sub>3</sub>	
	Lubrication/Lubricación				X	
	Clean and recharge battery**/Limpie y recargue la batería**				X	X <sub>4</sub>
ENGINE/MOTOR	Check engine oil level/Revise el nivel de aceite del motor	X <sub>5</sub>				
	Change engine oil/Cambie el aceite del motor			X <sub>1,2</sub>		
	Clean air filter/Limpie el filtro de aire			X <sub>2</sub>		
	Inspect muffler/Inspeccione la tritadora			X		
	Replace spark plug/Reemplace la bujía					X
	Replace air filter paper cartridge/Reemplace el cartucho de papel del filtro de aire					X <sub>2</sub>
Empty fuel system or add stabilizer/Limpie el sistema de combustible y agregue estabilizador						X

\* (if so equipped)/(si se incluye)

\*\* Electric-start mowers/Cortadoras de césped de arranque eléctrico

\*\*\* Power-propelled mowers/Cortadoras de césped mecánicas

\*\*\*\* Use a scraper to clean under deck/Use un raspador para limpiar debajo de la plataforma/

**NOTES:** (1) Change more often when operating under a heavy load or in high ambient temperatures. (2) Service more often when operating in dirty or dusty conditions. (3) Replace blades more often when mowing in sandy soil. (4) Charge 48 hours at end of season. (5) And after each 5 hours of use.

**NOTAS:** (1) Realice el cambio con más frecuencia cuando la usa con cargas pesadas o en temperaturas ambiente elevadas. (2) Haga el servicio con más frecuencia cuando la usa en lugares sucios o polvorientos. (3) Reemplace las cuchillas con más frecuencia cuando corta el césped en suelos arenosos. (4) Cargue 48 horas al final de la temporada. (5) Y después de cada 5 horas de uso.

## TROUBLESHOOTING

See appropriate section in manual unless directed to an authorized Service Center.

PROBLEM	CAUSE	CORRECTION
<b>Does not start</b>	<ol style="list-style-type: none"> <li>1. Dirty air filter.</li> <li>2. Out of fuel.</li> <li>3. Stale fuel.</li> <li>4. Water in fuel.</li> <li>5. Spark plug wire is disconnected.</li> <li>6. Bad spark plug.</li> <li>7. Loose blade or broken blade adapter.</li> <li>8. Control bar in released position.</li> <li>9. Control bar defective.</li> <li>10. Fuel valve lever (if so equipped) in OFF position.</li> <li>11. Weak battery (if equipped).</li> <li>12. Disconnected battery connector (if equipped).</li> <li>13. Blown fuse (if equipped).</li> </ol>	<ol style="list-style-type: none"> <li>1. Clean/replace air filter.</li> <li>2. Fill fuel tank.</li> <li>3. Drain fuel tank and refill tank with fresh, clean gasoline.</li> <li>4. Drain fuel tank and refill tank with fresh, clean gasoline.</li> <li>5. Connect wire to plug.</li> <li>6. Replace spark plug.</li> <li>7. Tighten blade bolt or replace blade adapter.</li> <li>8. Depress control bar to handle.</li> <li>9. Replace control bar.</li> <li>10. Turn fuel valve lever to the ON position.</li> <li>11. Charge battery.</li> <li>12. Connect battery to engine.</li> <li>13. Replace fuse.</li> </ol>
<b>Loss of power</b>	<ol style="list-style-type: none"> <li>1. Rear of lawn mower housing or cutting blade dragging in heavy grass.</li> <li>2. Cutting too much grass.</li> <li>3. Dirty air filter.</li> <li>4. Buildup of grass, leaves, and trash under mower.</li> <li>5. Too much oil in engine.</li> <li>6. Walking speed too fast.</li> </ol>	<ol style="list-style-type: none"> <li>1. Raise cutting height.</li> <li>2. Raise cutting height.</li> <li>3. Clean/replace air filter.</li> <li>4. Clean underside of mower housing.</li> <li>5. Check oil level.</li> <li>6. Cut at slower walking speed.</li> </ol>
<b>Poor cut – uneven</b>	<ol style="list-style-type: none"> <li>1. Worn, bent or loose blade.</li> <li>2. Wheel heights uneven.</li> <li>3. Buildup of grass, leaves and trash under mower.</li> </ol>	<ol style="list-style-type: none"> <li>1. Replace blade. Tighten blade bolt.</li> <li>2. Set all wheels at same height.</li> <li>3. Clean underside of mower housing.</li> </ol>
<b>Excessive vibration</b>	<ol style="list-style-type: none"> <li>1. Worn, bent or loose blade.</li> <li>2. Bent engine crankshaft.</li> </ol>	<ol style="list-style-type: none"> <li>1. Replace blade. Tighten blade bolt.</li> <li>2. Contact a qualified service center.</li> </ol>
<b>Starter rope hard to pull</b>	<ol style="list-style-type: none"> <li>1. Engine flywheel brake is on when control bar is released.</li> <li>2. Bent engine crankshaft.</li> <li>3. Blade adapter broken.</li> <li>4. Blade dragging in grass.</li> </ol>	<ol style="list-style-type: none"> <li>1. Depress control bar to upper handle before pulling starter rope.</li> <li>2. Contact a qualified service center.</li> <li>3. Replace blade adapter.</li> <li>4. Move lawn mower to cut grass or to hard surface.</li> </ol>

## TROUBLESHOOTING *(continued)*

See appropriate section in manual unless directed to an authorized Service Center.

PROBLEM	CAUSE	CORRECTION
<b>Grass catcher not filling (If so equipped)</b>	<ol style="list-style-type: none"> <li>1. Cutting height too low.</li> <li>2. Lift on blade worn off.</li> <li>3. Catcher not venting air.</li> </ol>	<ol style="list-style-type: none"> <li>1. Raise cutting height.</li> <li>2. Replace blade.</li> <li>3. Clean grass catcher.</li> </ol>
<b>Hard to push</b>	<ol style="list-style-type: none"> <li>1. Grass is too high or wheel height is too low.</li> <li>2. Rear of lawn mower housing or cutting blade dragging in grass.</li> <li>3. Grass catcher too full.</li> <li>4. Handle height position not right for you.</li> </ol>	<ol style="list-style-type: none"> <li>1. Raise cutting height.</li> <li>2. Raise rear of lawn mower housing or (1) setting higher.</li> <li>3. Empty grass catcher.</li> <li>4. Adjust handle height to suit.</li> </ol>
<b>Loss of drive or slowing of drive speed</b>	<ol style="list-style-type: none"> <li>1. Belt wear.</li> <li>2. Belt off of pulley.</li> <li>3. Drive cable worn or broken.</li> <li>4. "Loose" drive control system.</li> </ol>	<ol style="list-style-type: none"> <li>1. Check/replace drive belt.</li> <li>2. Check/reinstall drive belt.</li> <li>3. Replace drive cable.</li> <li>4. Adjust drive control.</li> </ol>

## HOW TO OBTAIN SERVICE

FOR SERVICE, REPAIRS, WARRANTY CLAIM, SPARE PARTS AND  
ACCESORIES PURCHASE ARE AVAILABLE ONLINE AT  
[www.evansproducts.com](http://www.evansproducts.com)  
OR BY CALLING 1-877-703-4441.

## STORAGE

Immediately prepare your lawn mower for storage at the end of the season or if the unit will not be used for 30 days or more.

**CAUTION:** Never store the lawn mower with gaso line in the tank inside a building where fumes may reach an open flame or spark. Allow the engine to cool before storing in any enclosure.

### LAWN MOWER

When lawn mower is to be stored for a pe-riod of time, clean it thoroughly, remove all dirt, grease, leaves, etc. Store in a clean, dry area.

- Clean entire lawn mower (See "CLEAN-ING" in the Maintenance section of this manual).
- Lubricate as shown in the Maintenance section of this manual.
- Be sure that all nuts, bolts, screws, and pins are securely fastened. Inspect moving parts for damage, breakage and wear. Replace if necessary.
- Touch up all rusted or chipped paint surfaces; sand lightly before painting.

### HANDLE

Your handle may be folded for storage as shown.

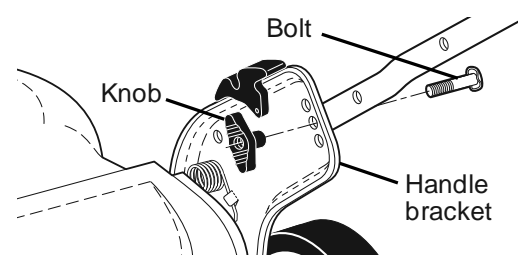
- Squeeze the bottom ends of lower handle towards each other until handle clears the handle brackets and swing handles forward over mower.
- Loosen upper handle mounting hard-ware enough to allow upper handle to be folded back.

**IMPORTANT:** When folding handles for storage or transportation, be sure to fold handles as shown or you may damage the control cables.

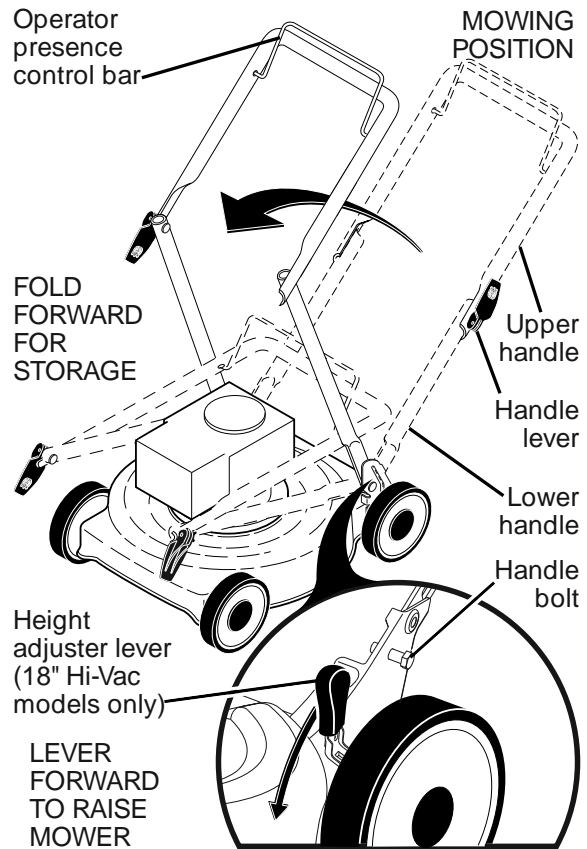
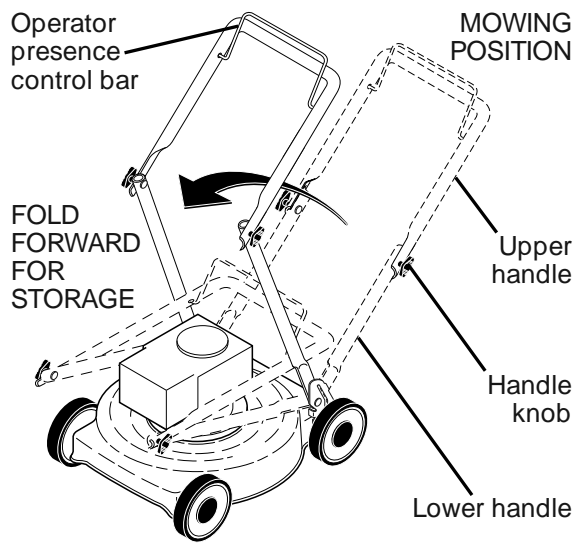
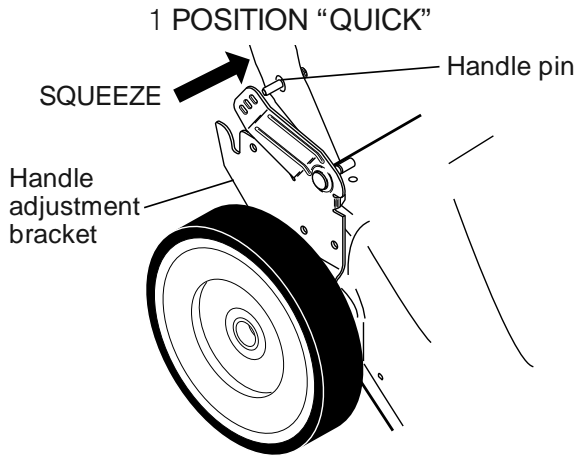
#### 1 POSITION HANDLE

When setting up your handle from the stor-age position, the lower handle will require manually locking into the mowing position.

3 POSITION "EZ"



# STORAGE



## “QUICK-RELEASE” HANDLES

You can fold your lawn mower handle for storage.

ON 18" HI-VAC MODELS ONLY:

1. Loosen the two (2) handle levers on sides of the upper handle and allow handle to fold down to the rear.
2. Move height adjustment lever forward to raise mower to highest position.
3. Loosen handle bolts (on both sides), then pivot entire handle assembly forward and allow it to rest on mower.

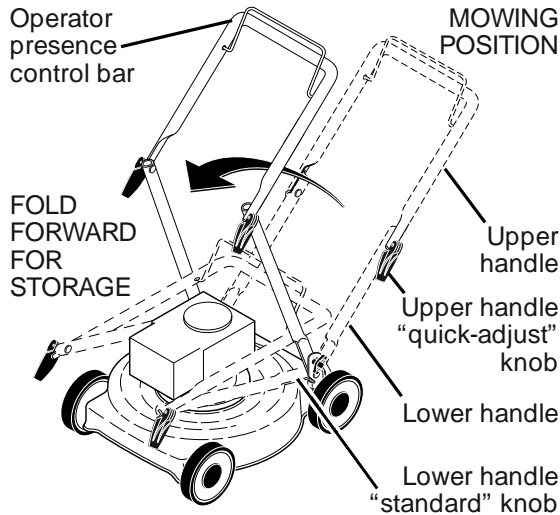
## ON ALL OTHER MODELS:

1. Loosen the two “quick-adjust” handle knobs on sides of the upper handle and allow handle to fold down to the rear.
2. Loosen the two “standard” handle knobs on sides of the lower handle and pivot entire handle assembly forward and allow it to rest on mower.
3. Reinstall “standard” knobs and carriage bolts to lower handle or handle brackets for safe keeping.
  - When setting up your handle from the storage position, the lower handle will automatically lock into the mowing position.

**IMPORTANT:** When folding the handle for storage or transportation, be sure to fold the handle as shown or you may damage the control cables.



# STORAGE



## ENGINE

### FUEL SYSTEM

**IMPORTANT:** It is important to prevent gum deposits from forming in essential fuel system parts such as carburetor, fuel filter, fuel hose, or tank during storage. Alcohol blended fuels (called gasohol or using etha-nol or methanol) can attract moisture which leads to separation and formation of acids during storage. Acidic gas can damage the fuel system of an engine while in storage.

- Drain the fuel tank.
- Start the engine and let it run until the fuel lines and carburetor are empty.
- Never use engine or carburetor cleaner products in the fuel tank or permanent damage may occur.
- Use fresh fuel next season.

**NOTE:** Fuel stabilizer is an acceptable alternative in minimizing the formation of fuel gum deposits during storage. Add stabilizer to gasoline in fuel tank or storage container. Always follow the mix ratio found on stabilizer container. Run engine at least 10 minutes after adding stabilizer to allow the stabilizer to reach the carburetor. Do not drain the gas tank and carburetor if using fuel stabilizer.

## ENGINE OIL

Drain oil (with engine warm) and replace with clean oil. (See "ENGINE" in the Main-maintenance section of this manual).

**NOTE (B&S W26 engines with Synthetic oil ONLY):** An oil change is not required but if you desire to change the oil follow the procedure below.

## CYLINDER

- Remove spark plug.
- Pour one ounce (29 ml) of oil through spark plug hole into cylinder.
- Pull starter handle slowly to distribute oil.
- Replace with new spark plug.

**BATTERY (IF EQUIPPED)** Disconnect the battery from the engine connector and charge battery 48 hours.

## OTHER

- Do not store gasoline from one season to another.
- Replace your gasoline can if your can starts to rust. Rust and/or dirt in your gasoline will cause problems.
- If possible, store your unit indoors and cover it to protect it from dust and dirt.
- Cover your unit with a suitable protective cover that does not retain moisture. Do not use plastic. Plastic cannot breathe, which allows condensation to form and will cause your unit to rust.

**IMPORTANT:** Never cover mower while engine and exhaust areas are still warm.

**CAUTION:** Never store the lawn mower with gasoline in the tank inside a building where fumes may reach an open flame or spark. Allow the engine to cool before storing in any enclosure.

## SOLUCIÓN DE PROBLEMAS

Problema	Causa	Solucion
No enciende	<ol style="list-style-type: none"> <li>1. Filtro de aire sucio</li> <li>2. Sin Combustible</li> <li>3. Combustible asentado</li> <li>4. Agua en Combustible</li> <li>5. Cable de Bujía desconectado</li> <li>6. Bujía no funciona</li> <li>7. Cuchilla suelta o adaptador roto</li> <li>8. Palanca de freno no esta siendo presionada</li> <li>9. Barra de control</li> <li>10. Válvula de gasolina ( si está equipado con esta) cerrada</li> </ol>	<ol style="list-style-type: none"> <li>1. Limpie el filtro de aire</li> <li>2. Agregue combustible</li> <li>3. Drene el tanque de gasolina y ponga gasolina nueva</li> <li>4. Drene el tanque de gasolina y ponga gasolina nueva</li> <li>5. Conecte el cable a la Bujía</li> <li>6. Reemplace la Bujía</li> <li>7. Apriete cuchilla o reemplace adaptador</li> <li>8. Coloque la palanca en posición de encendido</li> <li>9. Reemplace palanca de freno</li> <li>10. Abra la válvula a la posición ON</li> </ol>
Perdida de potencia	<ol style="list-style-type: none"> <li>1. Posición de corte demasiado baja</li> <li>2. Corte de demasiado césped</li> <li>3. Filtro de aire sucio</li> <li>4. Acumulación de Pasto debajo de la podadora</li> <li>5. Demasiado aceite en el motor</li> <li>6. Velocidad de corte demasiado acelerada</li> </ol>	<ol style="list-style-type: none"> <li>1. Eleve la posición de la cortadora.</li> <li>2. Eleve la posición de la cortadora.</li> <li>3. Limpie el filtro de aire</li> <li>4. Limpie la parte inferior de la podadora</li> <li>5. Remueva el exceso de aceite</li> <li>6. Baje la velocidad de corte</li> </ol>
Corte Disparejo o malo	<ol style="list-style-type: none"> <li>1. Cuchilla desgastada o doblada</li> <li>2. Ajuste de alturas disparejo</li> <li>3. Acumulación de Pasto debajo de la podadora</li> </ol>	<ol style="list-style-type: none"> <li>1. Reemplace chuchilla</li> <li>2. Asegure que la posición de altura coincida</li> <li>3. Limpie la parte inferior de la podadora</li> </ol>
Vibración excesiva	<ol style="list-style-type: none"> <li>1. Cuchilla desgastada o doblada</li> <li>2. Cigüeñal del motor doblado</li> </ol>	<ol style="list-style-type: none"> <li>1. Reemplace chuchilla</li> <li>2. Contacte un centro de servicio autorizado</li> </ol>
Retractil difícil de jalar	<ol style="list-style-type: none"> <li>1. Palanca de freno no esta siendo presionada</li> <li>2. Cigüeñal del motor doblado</li> <li>3. Cuchilla suelta o adaptador roto</li> <li>4. Cuchilla arrastra césped</li> </ol>	<ol style="list-style-type: none"> <li>1. Coloque la palanca en posición de encendido.</li> <li>2. Contacte un centro de servicio autorizado</li> <li>3. Apriete cuchilla o reemplace adaptador</li> <li>4. Mueva la podadora a una fuera del césped a cortar</li> </ol>

## COMO OBTENER AYUDA Y SERVICIO

**PARA SERVICIO, REPARACIONES, RECLAMO DE GARANTÍA, O LA COMPRA DE REPUESTOS Y ACCESORIOS, LAS COMPRAS ESTÁN DISPONIBLES EN LÍNEA EN [www.evansproducts.com](http://www.evansproducts.com) O LLAMANDO AL 1-877-703-4441.**

## TEMPORADAS

Prepare su podadora inmediatamente después de la temporada o si esta no va a ser utilizada por 30 días o más. **Precaución:** Nunca almacene la podadora con gasolina en el tanque dentro de un edificio, ya que los vapores de la gasolina pueden alcanzar una flama o chispa. Permita que la podadora se enfrie antes de almacenarla en cualquier lugar.

### PODADORA

Cuando la podadora vaya a ser almacenada es importante que la limpie muy minuciosamente para remover polvo, grasa, césped, etc. Almacene en un espacio limpio y seco.

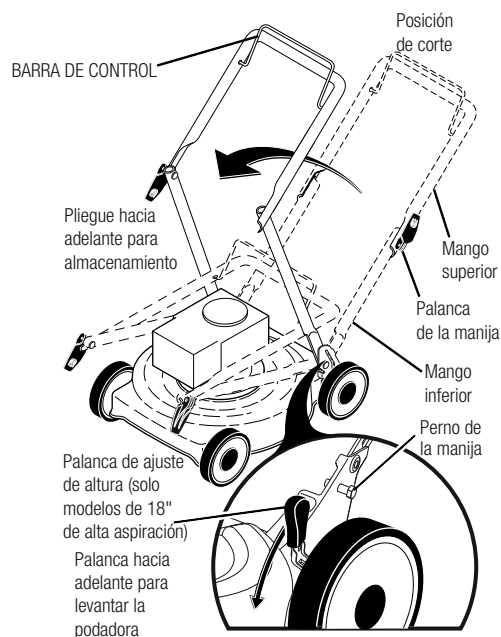
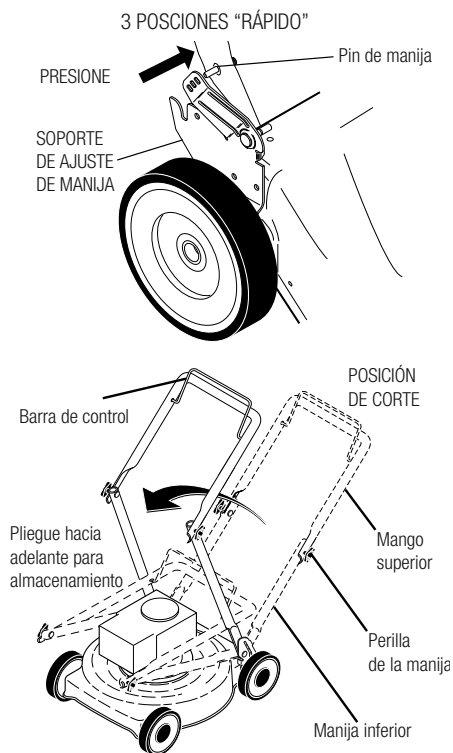
- Limpie toda la podadora (Ver sección LIMPIEZA)  
- Asegúrese de que todos los tornillos estén bien apretados, en caso de que no sea el caso, apriételos o reemplace según sea necesario

### MANUBRIOS

- Afloje los manubrios inferiores con una llave de 1/2" para doblar completamente el manubrio.

# SOLUCIÓN DE PROBLEMAS

**Importante:** Cuando doble los manubrios para transportación o almacenamiento, asegurese de hacerlo como en la imagen para evitar dañar los cables de control



Encienda el motor por lo menos 10 minutos y deje que la gasolina llegue al carburador. No drene el tanque de gasolina si esta utilizando estabilizador de combustible.

## MOTOR

### Sistema de Combustible

**Importante:** Es importante prevenir depósitos de goma de gasolina en el sistema de combustible del motor. Especialmente en el carburador, filtro. Mangueras o tanque durante el almacenamiento. Los Combustibles mezclados con alcohol pueden atraer humedad lo cual genera que se formen ácidos durante el almacenamiento. El gas ácido puede dañar el sistema de combustible del motor.

- Drene el tanque de combustible
- Encienda el motor y deje correr hasta que las mangueras de combustible y carburador no tengan combustible.
- Nunca use productos de limpieza de carburador en el tanque de combustible o daño permanente puede ocurrir.
- utilice combustible fresco la siguiente temporada

**NOTA:** El estabilizador de combustible es una alternativa aceptada para minimizar depósitos de goma de combustible durante el almacenamiento. Agregue estabilizador al tanque de gasolina. Siempre mantenga la relación recomendada en el bote del estabilizador.

## ACEITE DE MOTOR

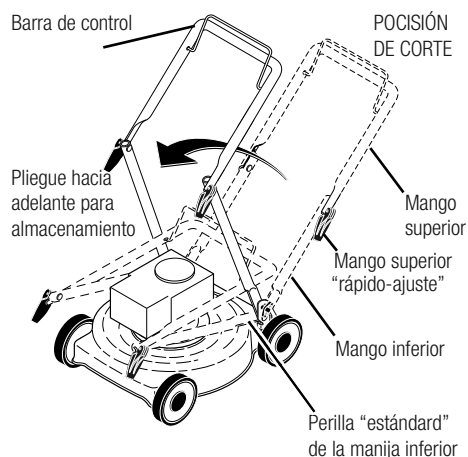
Drene aceite ( con motor caliente) y reemplace con aceite limpio.

## OTROS

- No almacene gasolina de una temporada a otra
- Reemplace el contenedor de gasolina si este se empieza a oxidar. El Oxido y la suciedad en la gasolina generan problemas en el motor.
- Cuando sea posible, almacene su podadora en el interior y protejala de polvo y suciedad.
- cubra su podadora con un protector que no sea hecho de plástico ya que este no permite respirar y genera que la podadora se pueda oxidar

**IMPORTANTE,** Nunca cubra la podadora mientras el motor y mofle sigan calientes.

**PRECAUCION;** Nunca almacene la podadora en el interior de un edificio, ya que los vapores del combustible pueden alcanzar una chispa o llama. Permita que el motor y mofle se enfríen antes de colocar una cubierta.



**POULANPRO**

[www.evansproducts.com](http://www.evansproducts.com)

1-877-703-4441